

# 2PBA Series

New Generation

Bent Axis Piston Pumps

minimum size envelope,  
high pressure & efficiency,  
low noise emissions,  
high rotational speeds...



# Contents

Design of <b>2PBA</b> Pumps	3
Range and characteristics	4
<b>2PBA</b> 18cc	5
<b>2PBA</b> 25cc	6
<b>2PBA</b> 35cc	7
<b>2PBA</b> 45cc	8
<b>2PBA</b> 55cc	9
<b>2PBA</b> 63cc	10
<b>2PBA</b> 85cc	11
<b>2PBA</b> 108cc	12
Direction of Rotation	13
Accessories of <b>2PBA</b> Pumps	14
Overhang Torque of <b>2PBA</b> Pumps	14
Other Product Ranges	15
Contact & Information	16

# Design of 2PBA Pumps



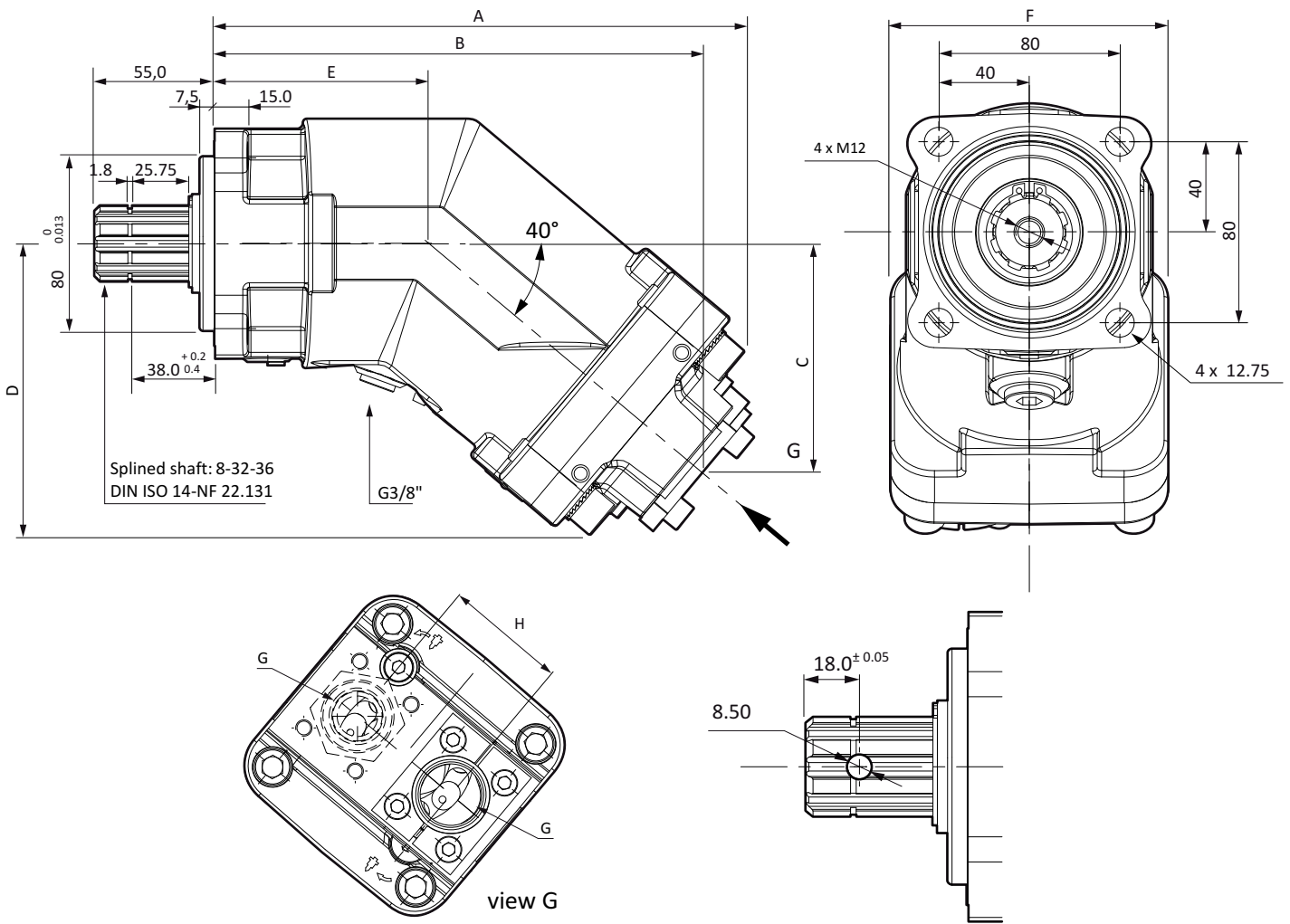
# Range and Characteristics



Pump Type	Displacement <sup>cc</sup>	Max. Continuous Pressure <sup>bar</sup>	Min. Intermittent P. Pressure <sup>bar</sup>	Max. Rotating Speed <sup>rpm</sup>	Max. Torque <sup>Nm</sup>	Max. Intermittent Pressure	Weight without inlet fitting <sup>kg</sup>	Weight with inlet fitting <sup>kg</sup>	Torque without inlet fitting <sup>kg</sup>	Torque with inlet fitting <sup>kg</sup>
2PBA 18	17,80	350	400	2500	105	-	9,00	9,40	8,75	9,19
2PBA 25	24,50	350	400	2500	146	-	9,50	9,90	8,82	9,23
2PBA 35	34,70	350	400	2500	190	-	10,50	10,90	11,00	11,52
2PBA 45	42,20	350	400	2400	240	-	10,50	10,90	11,12	11,40
2PBA 55	54,80	350	400	2400	296	-	11,00	11,40	11,72	12,20
2PBA 63	67,40	350	400	2200	360	-	11,50	11,90	11,77	12,23
2PBA 85	85,20	350	400	2250	460	-	15,00	15,40	17,80	18,33
2PBA 108	108,70	350	400	1900	620	-	15,50	15,90	17,92	18,45

Pump Type	A	B	C	D	E	F	G	H	Fluid	Rotation
2PBA 18	195,00	176,00	76,00	104,00	80,00	108,00	3/4"	54	Mineral based hydraulic oils	CW-CCW
2PBA 25	195,00	176,00	76,00	104,00	80,00	108,00	3/4"	54		CW-CCW
2PBA 35	202,00	182,00	82,00	108,00	85,00	108,00	3/4"	54		CW-CCW
2PBA 45	202,00	183,00	82,00	108,00	86,00	108,00	3/4"	54		CW-CCW
2PBA 55	215,00	196,00	94,00	118,00	86,00	108,00	3/4"	54		CW-CCW
2PBA 63	215,00	196,00	94,00	118,00	86,00	108,00	3/4"	54		CW-CCW
2PBA 85	242,00	223,00	105,00	132,00	98,00	122,00	1"	60		CW-CCW
2PBA 108	242,00	223,00	105,00	132,00	98,00	122,00	1"	60		CW-CCW

# 2PBA 18 cc

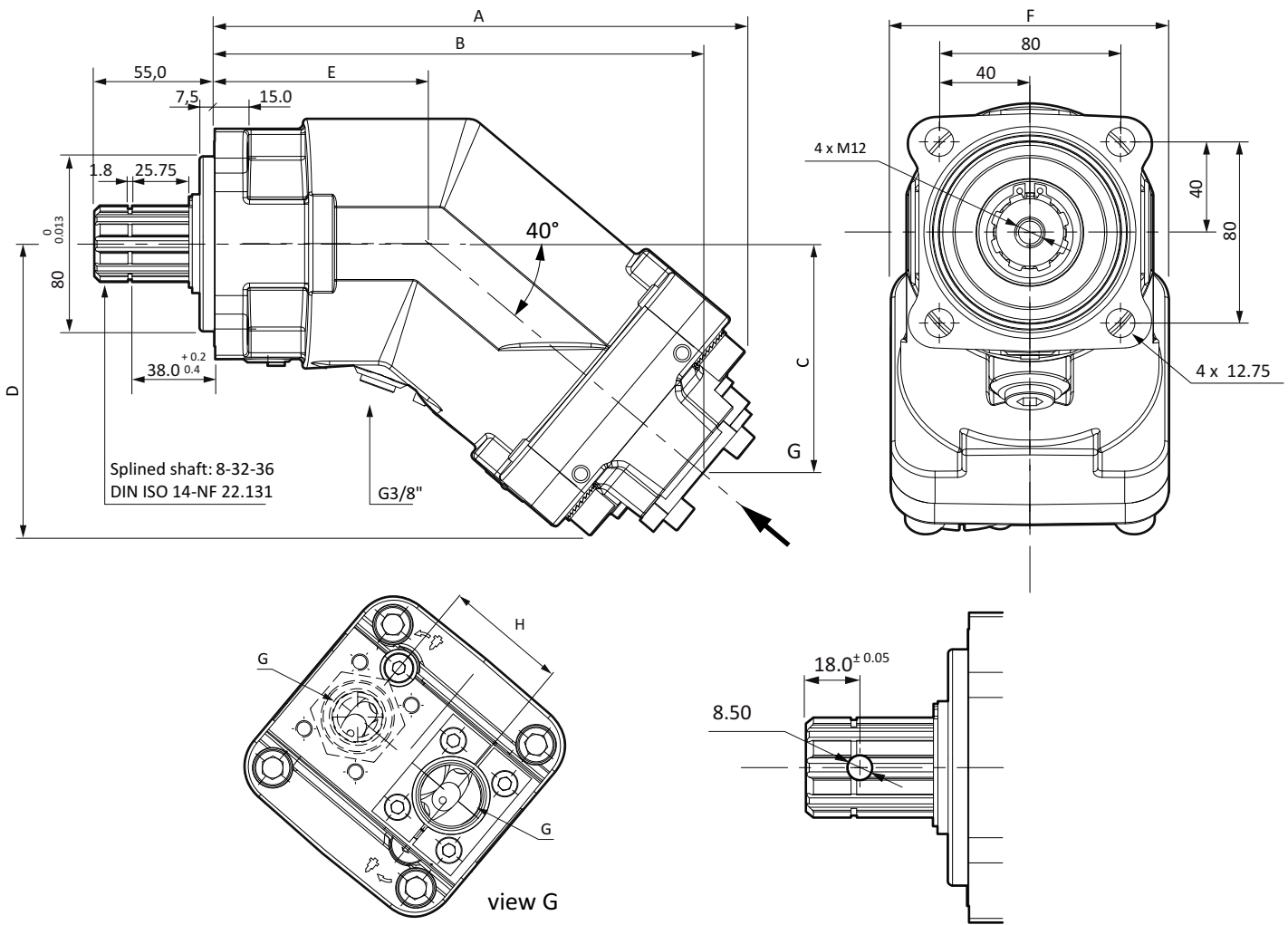


Pump Type	Displacement <sup>cc</sup>	Max. Continuous Pressure <sup>bar</sup>	Min. Intermittent P. Pressure <sup>bar</sup>	Max. Rotating Speed <sup>rpm</sup>	Max. Torque <sup>Nm</sup>	Max. Intermittent Pressure	Weight without inlet fitting <sup>kg</sup>	Weight with inlet fitting <sup>kg</sup>	Torque without inlet fitting <sup>kg</sup>	Torque with inlet fitting <sup>kg</sup>
2PBA 18	17,80	350	400	2500	105	-	9,00	9,40	8,75	9,19

Pump Type	A	B	C	D	E	F	G	H	Fluid	Rotation
2PBA 18	195,00	176,00	76,00	104,00	80,00	108,00	3/4"	54	Mineral based hydraulic oils	CW-CCW

# 2PBA 25 cc

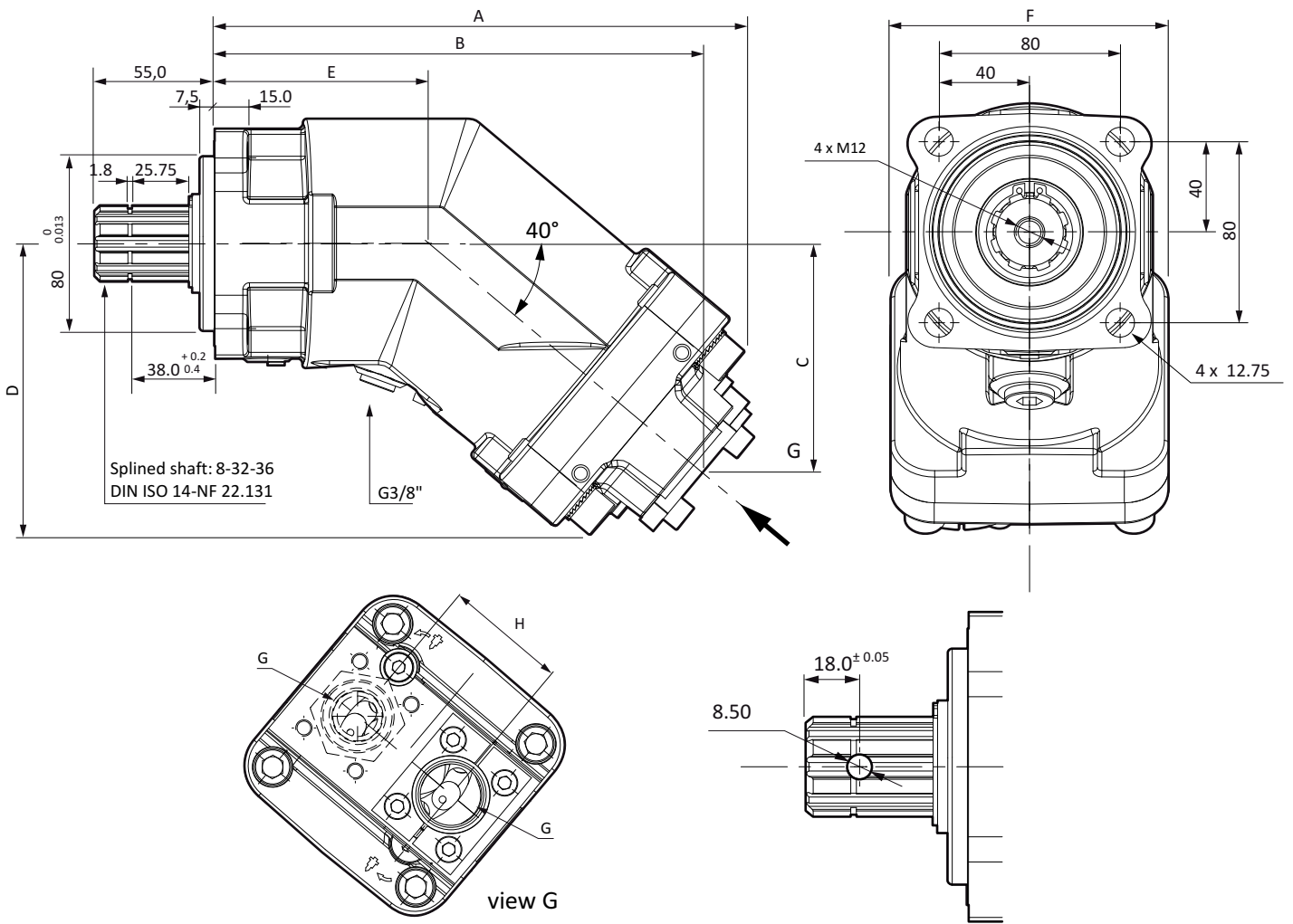


Pump Type	Displacement <sup>cc</sup>	Max. Continuous Pressure <sup>bar</sup>	Min. Intermittent P. Pressure <sup>bar</sup>	Max. Rotating Speed <sup>rpm</sup>	Max. Torque <sup>Nm</sup>	Max. Intermittent Pressure	Weight without inlet fitting <sup>kg</sup>	Weight with inlet fitting <sup>kg</sup>	Torque without inlet fitting <sup>kg</sup>	Torque with inlet fitting <sup>kg</sup>
2PBA 25	24,50	350	400	2500	146	-	9,50	9,90	8,82	9,23

Pump Type	A	B	C	D	E	F	G	H	Fluid	Rotation
2PBA 25	195,00	176,00	76,00	104,00	80,00	108,00	3/4"	54	Mineral based hydraulic oils	CW-CCW

# 2PBA 35 cc

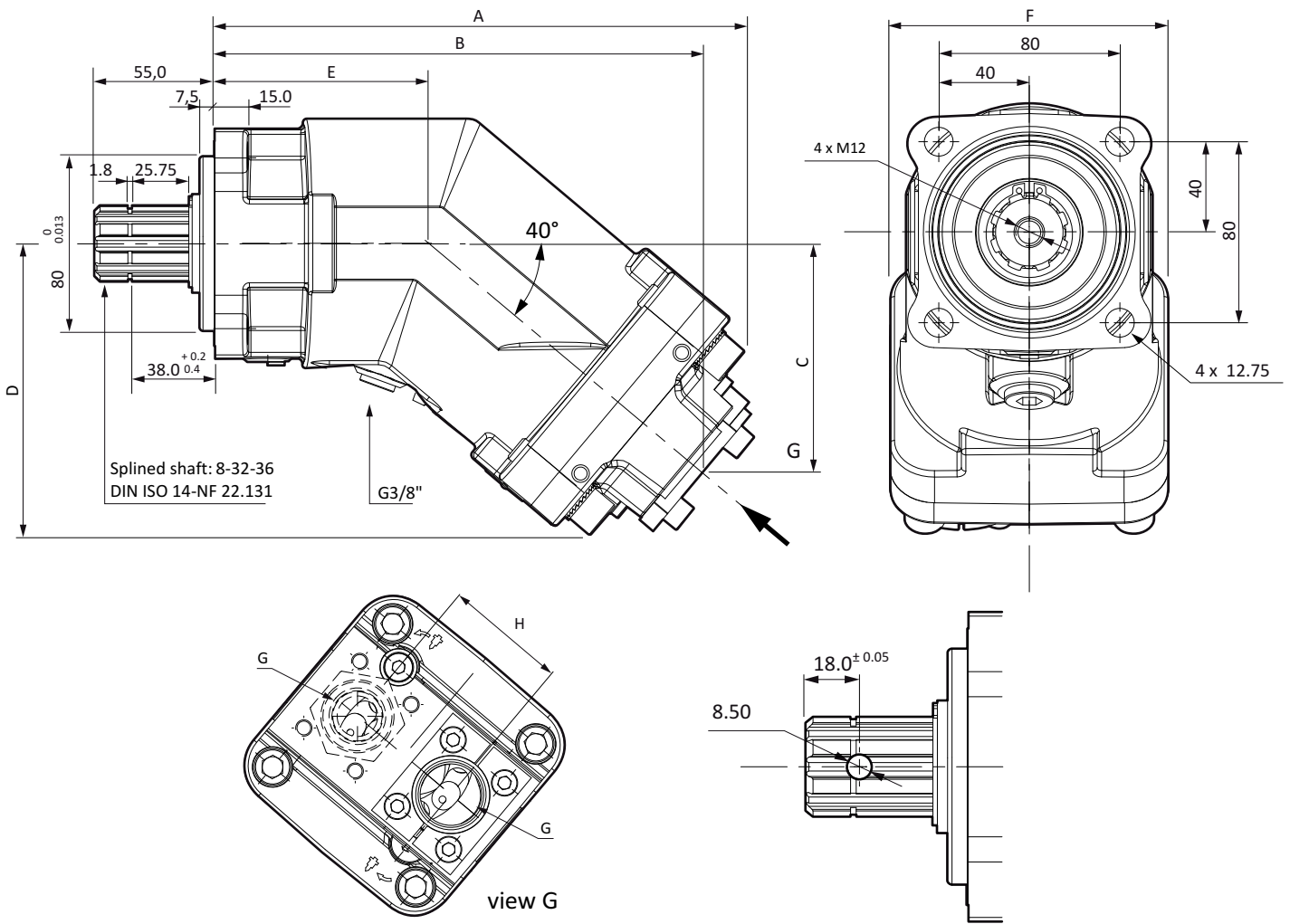


Pump Type	Displacement <sup>cc</sup>	Max. Continuous Pressure <sup>bar</sup>	Min. Intermittent P. Pressure <sup>bar</sup>	Max. Rotating Speed <sup>rpm</sup>	Max. Torque <sup>Nm</sup>	Max. Intermittent Pressure	Weight without inlet fitting <sup>kg</sup>	Weight with inlet fitting <sup>kg</sup>	Torque without inlet fitting <sup>kg</sup>	Torque with inlet fitting <sup>kg</sup>
2PBA 35	34,70	350	400	2500	190	-	10,50	10,90	11,00	11,52

Pump Type	A	B	C	D	E	F	G	H	Fluid	Rotation
2PBA 35	202,00	182,00	82,00	108,00	85,00	108,00	3/4"	54	Mineral based hydraulic oils	CW-CCW

# 2PBA 45 cc



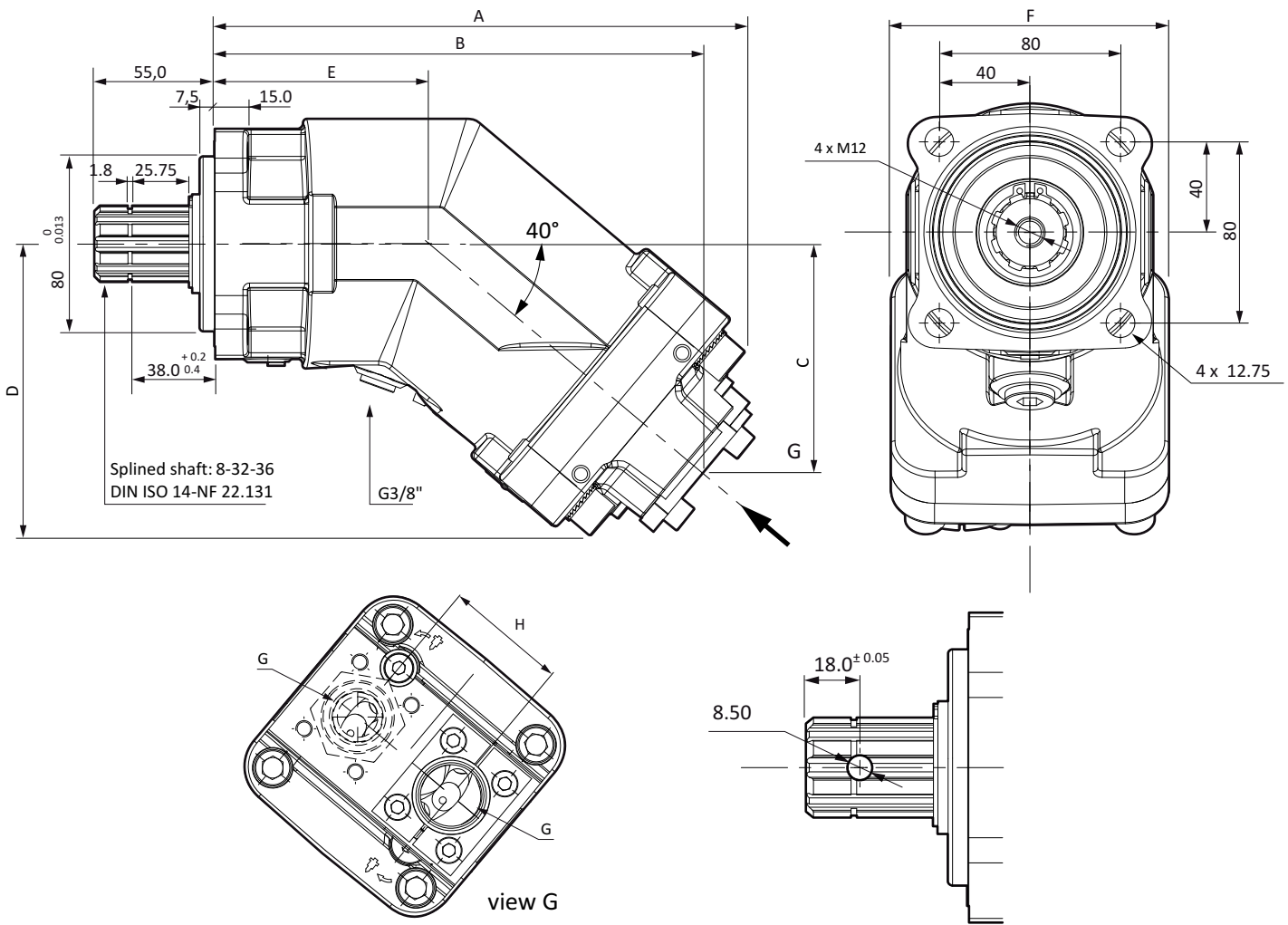
Pump Type	Displacement <sup>cc</sup>	Max. Continuous Pressure <sup>bar</sup>	Min. Intermittent P. Pressure <sup>bar</sup>	Max. Rotating Speed <sup>rpm</sup>	Max. Torque <sup>Nm</sup>	Max. Intermittent Pressure	Weight without inlet fitting <sup>kg</sup>	Weight with inlet fitting <sup>kg</sup>	Torque without inlet fitting <sup>kg</sup>	Torque with inlet fitting <sup>kg</sup>
2PBA 45	42,20	350	400	2400	240	-	10,50	10,90	11,12	11,40

Pump Type	A	B	C	D	E	F	G	H	Fluid	Rotation
2PBA 45	202,00	183,00	82,00	108,00	86,00	108,00	3/4"	54	Mineral based hydraulic oils	CW-CCW



# 2PBA 55 cc

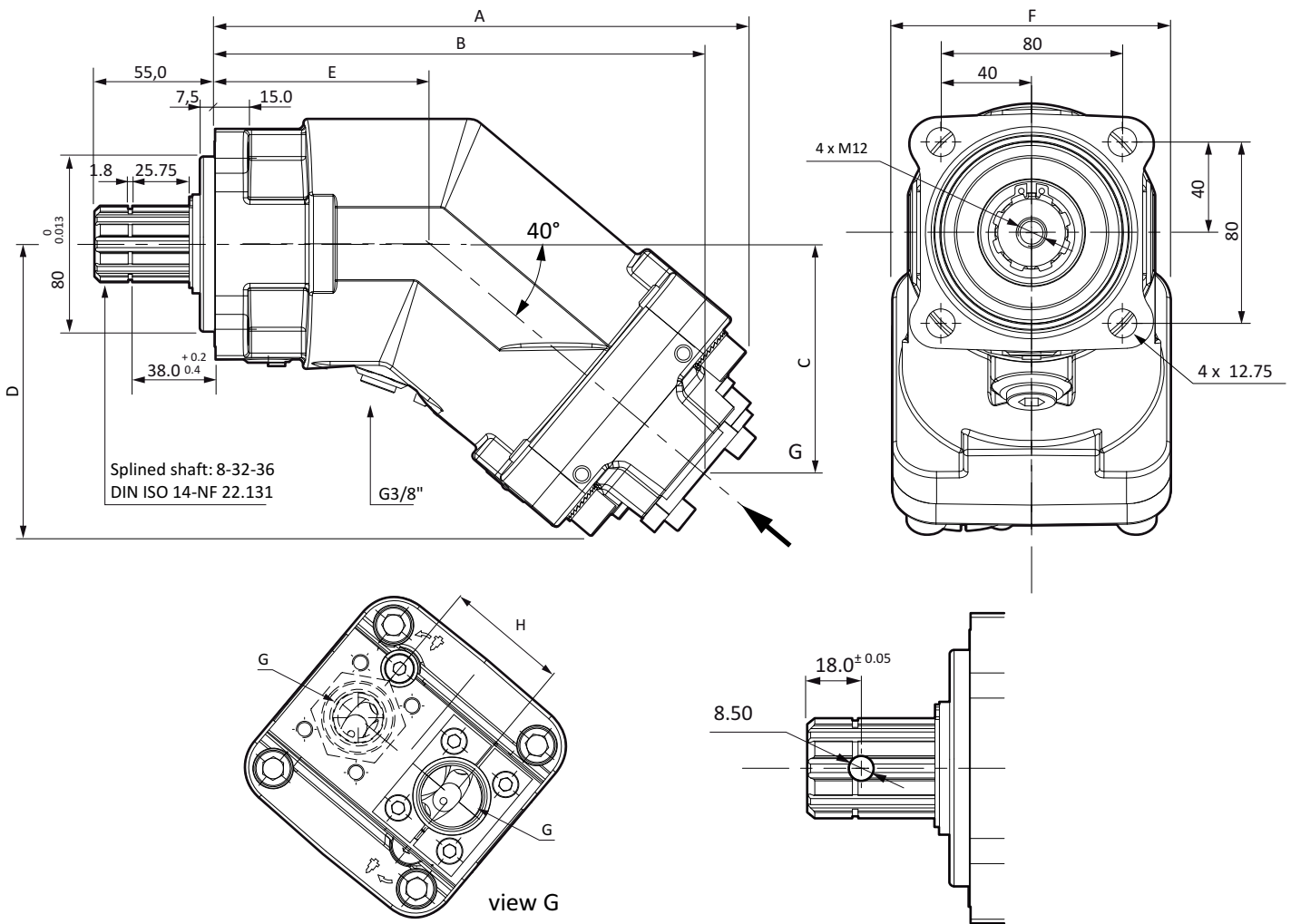


Pump Type	Displacement <sup>cc</sup>	Max. Continuous Pressure <sup>bar</sup>	Min. Intermittent P. Pressure <sup>bar</sup>	Max. Rotating Speed <sup>rpm</sup>	Max. Torque <sup>Nm</sup>	Max. Intermittent Pressure	Weight without inlet fitting <sup>kg</sup>	Weight with inlet fitting <sup>kg</sup>	Torque without inlet fitting <sup>kg</sup>	Torque with inlet fitting <sup>kg</sup>
2PBA 55	54,80	350	400	2400	296	-	11,00	11,40	11,72	12,20

Pump Type	A	B	C	D	E	F	G	H	Fluid	Rotation
2PBA 55	215,00	196,00	94,00	118,00	86,00	108,00	3/4"	54	Mineral based hydraulic oils	CW-CCW

# 2PBA 63 cc

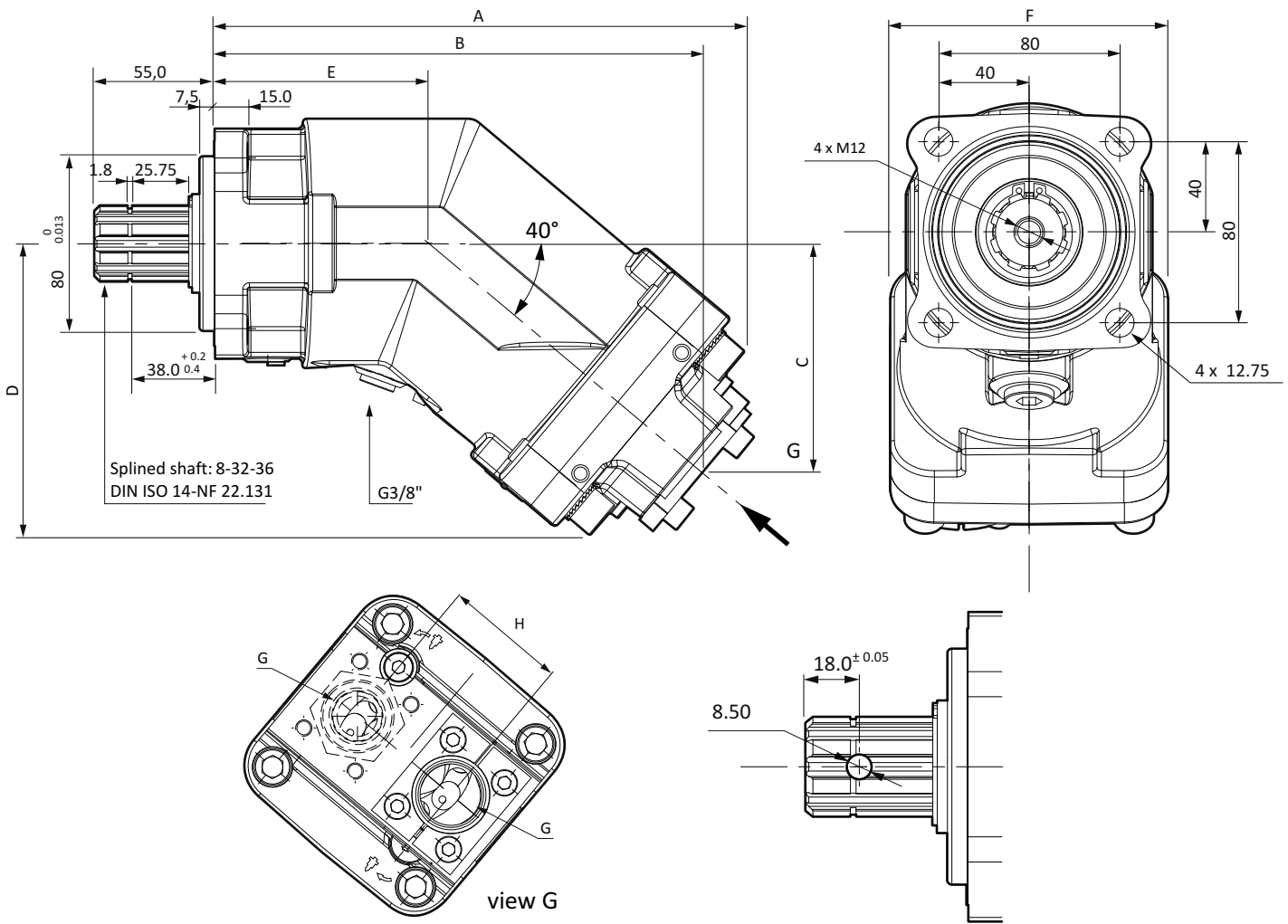


Pump Type	Displacement <sup>cc</sup>	Max. Continuous Pressure <sup>bar</sup>	Min. Intermittent P. Pressure <sup>bar</sup>	Max. Rotating Speed <sup>rpm</sup>	Max. Torque <sup>Nm</sup>	Max. Intermittent Pressure	Weight without inlet fitting <sup>kg</sup>	Weight with inlet fitting <sup>kg</sup>	Torque without inlet fitting <sup>kg</sup>	Torque with inlet fitting <sup>kg</sup>
2PBA 63	67,40	350	400	2200	360	-	11,50	11,90	11,77	12,23

Pump Type	A	B	C	D	E	F	G	H	Fluid	Rotation
2PBA 63	215,00	196,00	94,00	118,00	86,00	108,00	3/4"	54	Mineral based hydraulic oils	CW-CCW

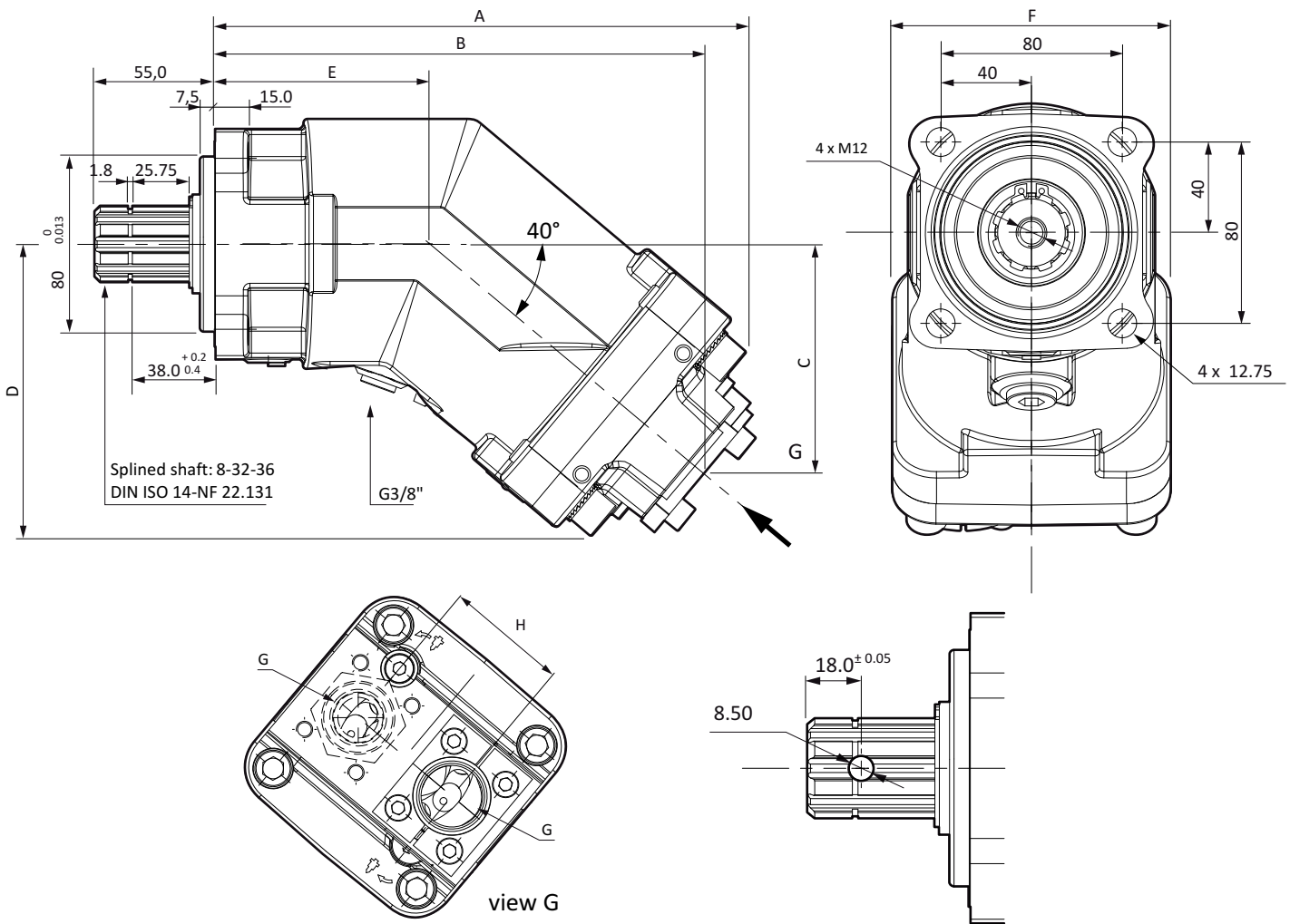
# 2PBA 85 cc



Pump Type	Displacement <sup>cc</sup>	Max. Continuous Pressure <sup>bar</sup>	Min. Intermittent P. Pressure <sup>bar</sup>	Max. Rotating Speed <sup>rpm</sup>	Max. Torque <sup>Nm</sup>	Max. Intermittent Pressure	Weight without inlet fitting <sup>kg</sup>	Weight with inlet fitting <sup>kg</sup>	Torque without inlet fitting <sup>kg</sup>	Torque with inlet fitting <sup>kg</sup>
2PBA 85	85,20	350	400	2250	460	-	15,00	15,40	17,80	18,33

Pump Type	A	B	C	D	E	F	G	H	Fluid	Rotation
2PBA 85	223,00	223,00	105,00	132,00	98,00	122,00	1"	60	Mineral based hydraulic oils	CW-CCW

# 2PBA 108 cc

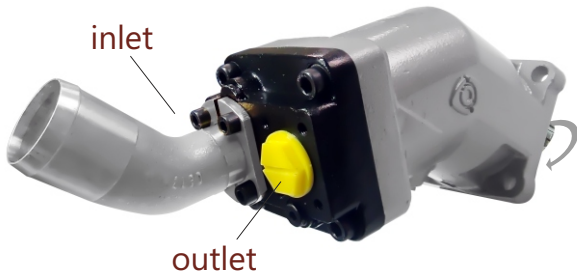


Pump Type	Displacement <sup>cc</sup>	Max. Continuous Pressure <sup>bar</sup>	Min. Intermittent P. Pressure <sup>bar</sup>	Max. Rotating Speed <sup>rpm</sup>	Max. Torque <sup>Nm</sup>	Max. Intermittent Pressure	Weight without inlet fitting <sup>kg</sup>	Weight with inlet fitting <sup>kg</sup>	Torque without inlet fitting <sup>kg</sup>	Torque with inlet fitting <sup>kg</sup>
2PBA 108	108,70	350	400	1900	620	-	15,50	15,90	17,92	18,45

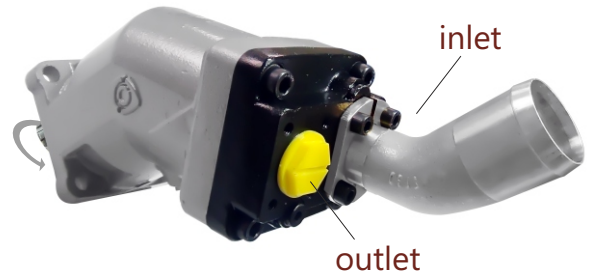
Pump Type	A	B	C	D	E	F	G	H	Fluid	Rotation
2PBA 108	223,00	223,00	105,00	132,00	98,00	122,00	1"	60	Mineral based hydraulic oils	CW-CCW

# Direction of Rotation

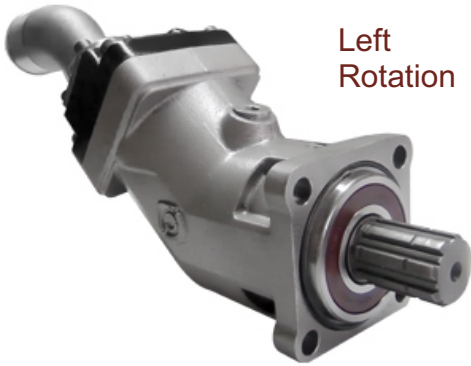
Rotation: CCW



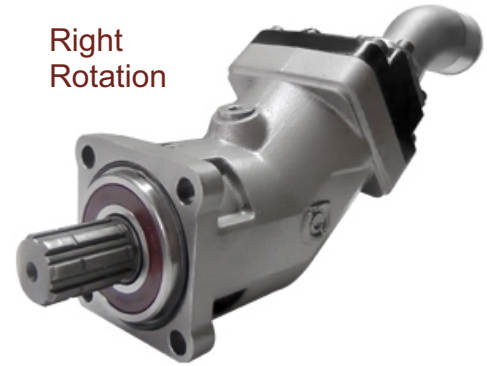
Rotation: CW



Left  
Rotation



Right  
Rotation



# Accessories of 2PBA Pumps



Suction  
Fittings



ISO - UNI  
Adapters

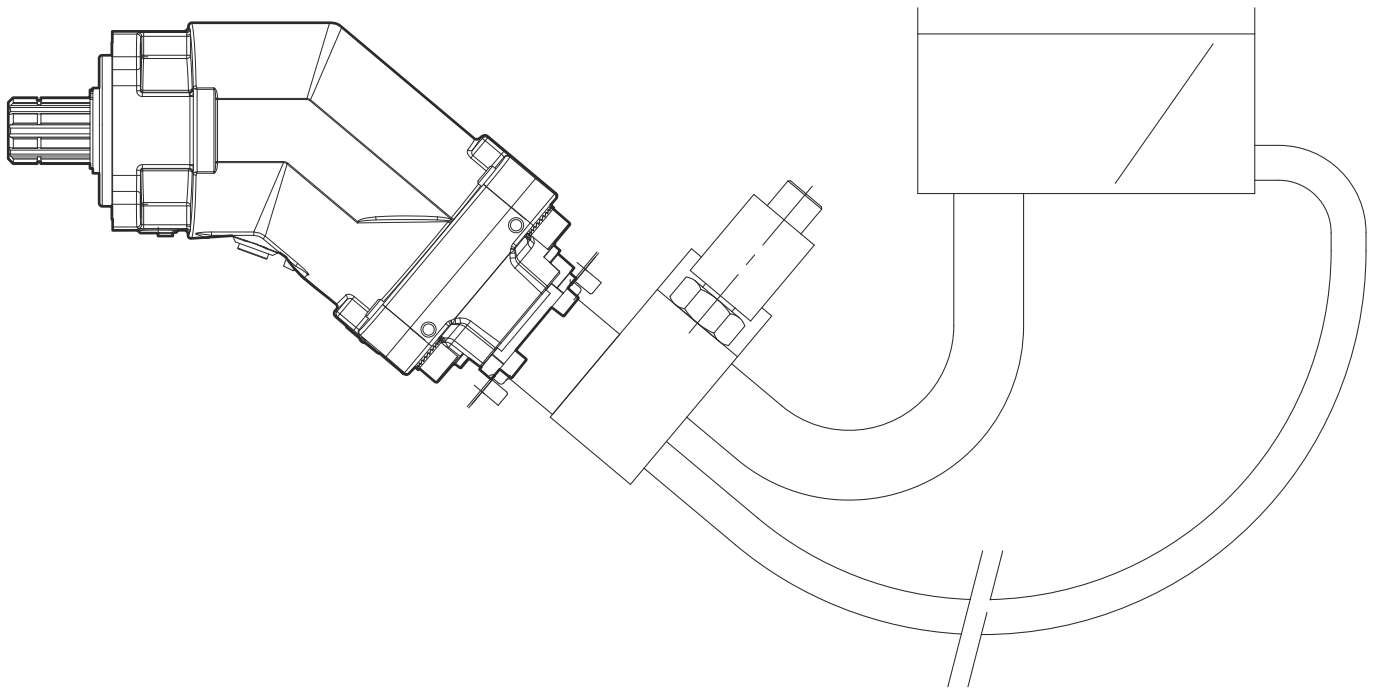


Couplers  
Flanges



By-Pass  
Valve

# Overhang Torque of 2PBA Pumps



Overhang torque of 2PBA pumps

		<b>18</b>	<b>25</b>	<b>35</b>	<b>45</b>	<b>55</b>	<b>63</b>	<b>85</b>	<b>108</b>
<b>weight</b>	<b>without inlet fitting kg</b>	12,65	12,70	14,20	14,55	14,70	14,65	18,35	<b>18,45</b>
	<b>with inlet fitting 2" kg</b>	13,23	13,15	15,35	15,12	15,35	15,13	18,39	<b>19,01</b>
<b>torque</b>	<b>without inlet fitting N.m</b>	16,29	16,34	18,88	19,14	20,25	20,02	27,26	<b>27,30</b>
	<b>with inlet fitting 2" N.m</b>	16,95	17,04	19,55	19,61	20,65	20,72	27,81	<b>27,95</b>

# Other Product Ranges



PBA Pumps

PBX Pumps



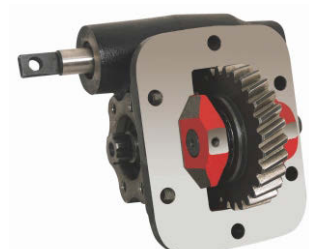
PA Pumps

PH Pumps



HDP Pumps

Power Take Off



## ÇELEBİ HİDROCEL OTO. SAN. TİC. LTD. ŞTİ.

Head Office & Factory;  
Fevzi Çakmak Mh. 10641. Sk. No:2  
P: 42090 Karatay / Konya / TURKEY

Complete catalogues available at : [www.hidrocel.com.tr](http://www.hidrocel.com.tr)

Tel: +90 332 345 13 70  
+90 332 345 13 71

Fax: +90 332 345 13 72

[hidrocel@hidrocel.com.tr](mailto:hidrocel@hidrocel.com.tr)

**21<sup>TH</sup> ANNIVERSARY**



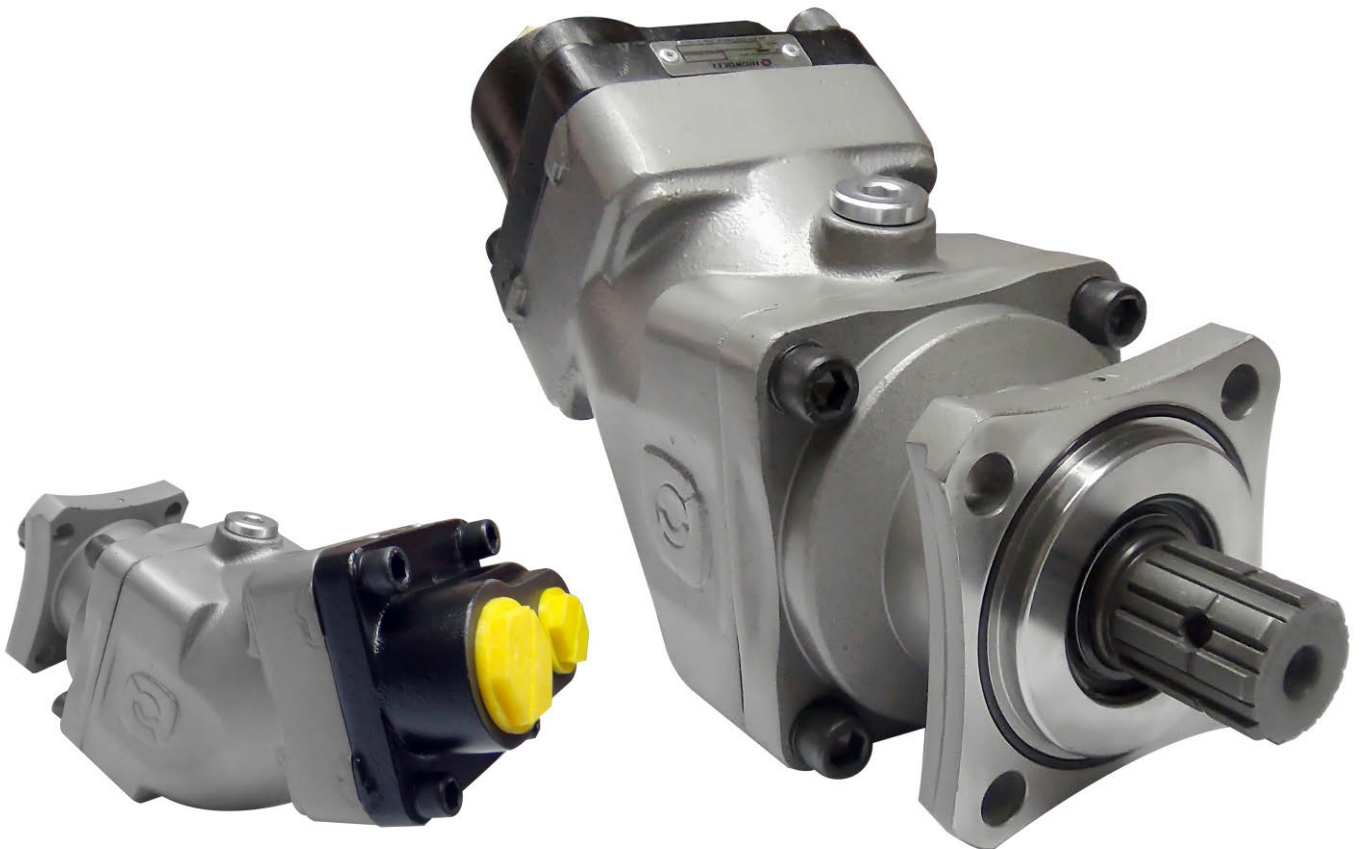
There are many types of  
**Piston Pumps**  
only our company producing in Turkey...



# PBA Series

## Bent Axis Piston Pumps

cast iron pump body,  
high output pressure,  
high performance,  
high rotational speeds...



# Contents

Design of <b>PBA</b> Pumps _____	<b>3</b>
Range and characteristics _____	<b>4</b>
<b>PBA 17cc</b> _____	<b>5</b>
<b>PBA 25cc</b> _____	<b>6</b>
<b>PBA 35cc</b> _____	<b>7</b>
<b>PBA 45cc</b> _____	<b>8</b>
<b>PBA 55cc</b> _____	<b>9</b>
<b>PBA 65cc</b> _____	<b>10</b>
<b>PBA 85cc</b> _____	<b>11</b>
<b>PBA 105cc</b> _____	<b>12</b>
Direction of Rotation _____	<b>13</b>
Accessories of <b>PBA</b> Pumps _____	<b>13</b>
Other Product Ranges _____	<b>14</b>
Contact & Information _____	<b>15</b>

# Design of PBA Pumps



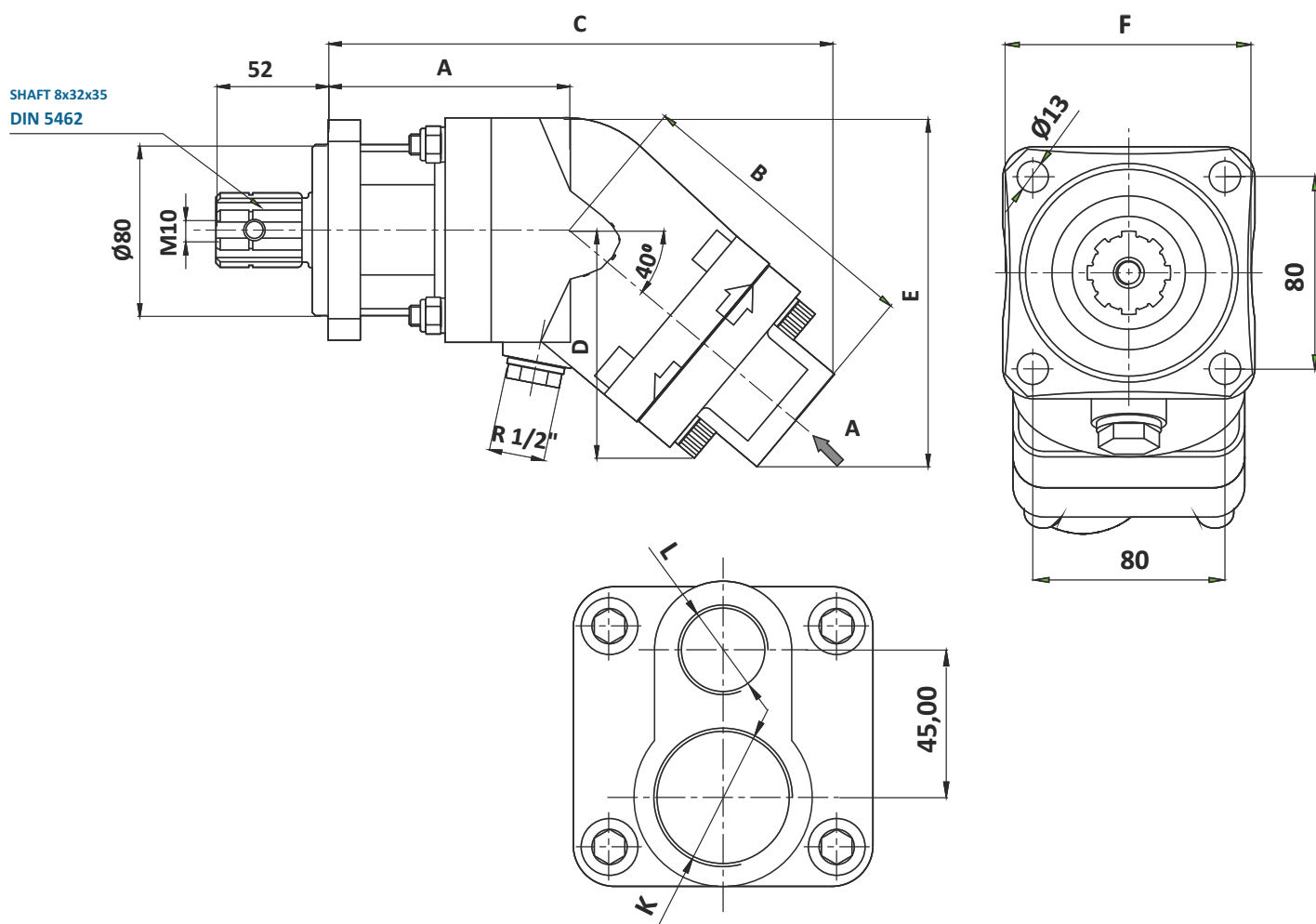
# Range and Characteristics



Pump Type	Displacement <sup>cc</sup>	Max. <sup>l</sup> (min <sup>-1</sup> ) Continuous Speed	Min. <sup>l</sup> (min <sup>-1</sup> ) Intermittent Speed	Max. <sup>l</sup> (min <sup>-1</sup> ) Intermittent Speed	Max. <sup>bar</sup> Continuous Pressure	Max. <sup>bar</sup> Intermittent Pressure	Max. <sup>bar</sup> Peak Pressure	Weight <sup>kg</sup> without inlet fitting	Weight <sup>kg</sup> with inlet fitting
PBA 17	17,00	2225	300	2500	400/5801	-	450/6525	8,00	8,35
PBA 25	25,40	2300	300	2700	400/5801	-	450/6525	9,00	9,35
PBA 35	35,40	2250	300	2600	400/5801	-	450/6525	13,00	13,40
PBA 45	45,40	2100	300	2500	400/5801	-	450/6525	14,00	14,40
PBA 55	54,80	2050	300	2500	350/5076	-	400/5800	15,00	15,40
PBA 65	63,80	2000	300	2400	350/5076	-	400/5800	15,00	15,40
PBA 85	85,30	1900	300	2250	350/5076	-	400/5800	17,50	17,90
PBA 105	105,80	1900	300	2250	350/5076	-	400/5800	18,00	18,50

Pump Type	A	B	C	D	E	F	K (oil inlet)	L (oil outlet)	Fluid	Rotation
PBA 17	90,00	120,00	220,00	90,00	140,00	80,00	R1 1/4"	R 3/4"	Mineral based hydraulic oils	CW-CCW
PBA 25	95,00	120,00	220,00	90,00	140,00	80,00	R1 1/4"	R 3/4"		CW-CCW
PBA 35	110,00	135,00	235,00	105,00	160,00	100,00	R1 1/4"	R 3/4"		CW-CCW
PBA 45	110,00	135,00	235,00	105,00	160,00	100,00	R1 1/4"	R 3/4"		CW-CCW
PBA 55	113,00	150,00	251,00	115,00	160,00	108,00	R1 1/4"	R 3/4"		CW-CCW
PBA 65	113,00	150,00	251,00	115,00	160,00	108,00	R1 1/4"	R 3/4"		CW-CCW
PBA 85	125,00	160,00	295,00	128,00	190,00	115,00	R1 1/2"	R 1"		CW-CCW
PBA 105	125,00	160,00	295,00	128,00	190,00	115,00	R1 1/2"	R 1"		CW-CCW

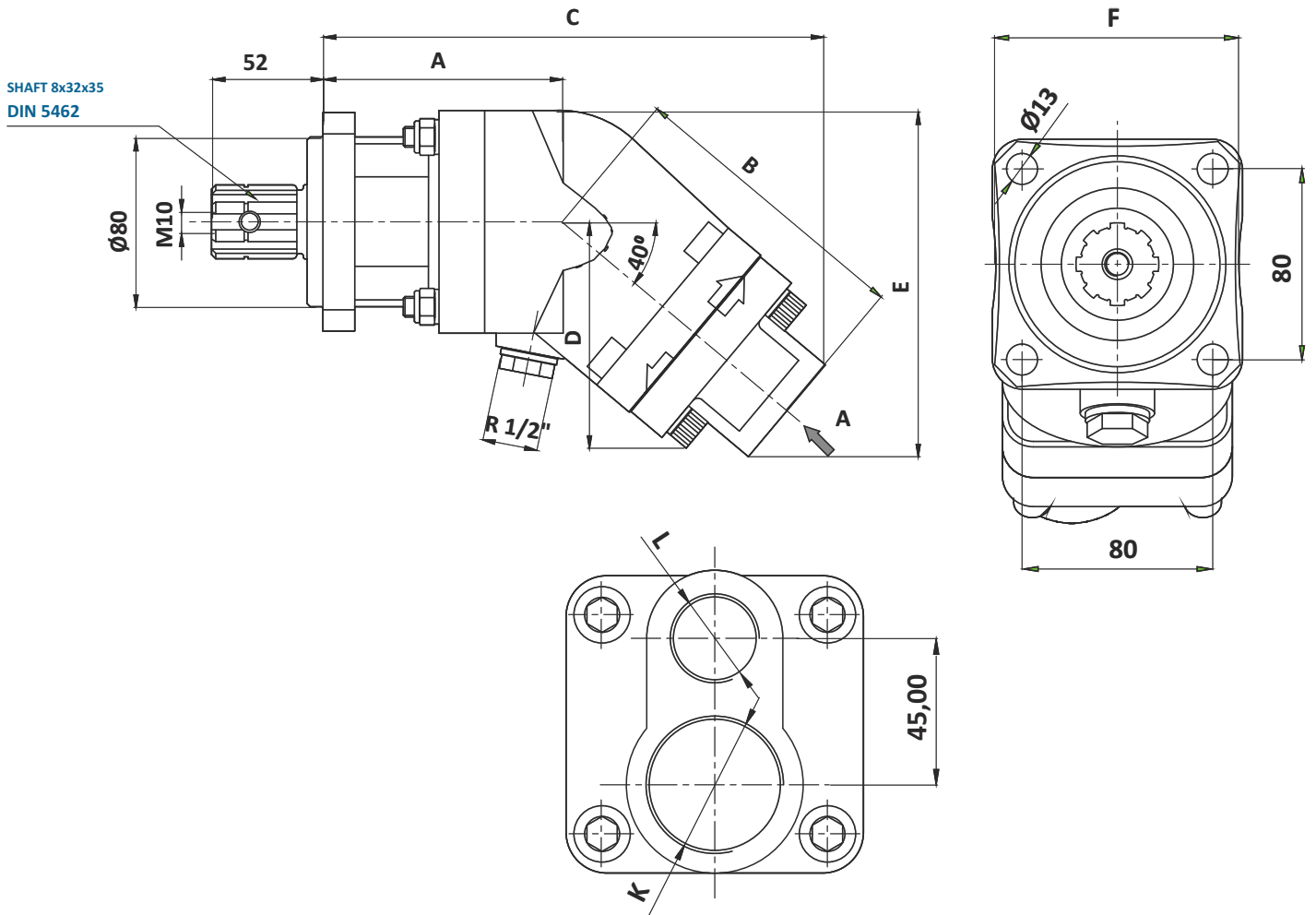
# PBA 17 cc



Pump Type	Displacement <sup>cc</sup>	Max. Continuous Speed <sup>n(min<sup>-1</sup>)</sup>	Min. Intermittent Speed <sup>n(min<sup>-1</sup>)</sup>	Max. Intermittent Speed <sup>n(min<sup>-1</sup>)</sup>	Max. Continuous Pressure <sup>bar</sup>	Max. Intermittent Pressure <sup>bar</sup>	Max. Peak Pressure <sup>bar</sup>	Weight without inlet fitting <sup>kg</sup>	Weight with inlet fitting <sup>kg</sup>
PBA 17	17,00	2225	300	2500	400/5801	-	450/6525	8,00	8,35

Pump Type	A	B	C	D	E	F	K (oil inlet)	L (oil outlet)	Fluid	Rotation
PBA 17	90,00	120,00	220,00	90,00	140,00	80,00	R1 1/4"	R 3/4"	Mineral based hydraulic oils	CW-CCW

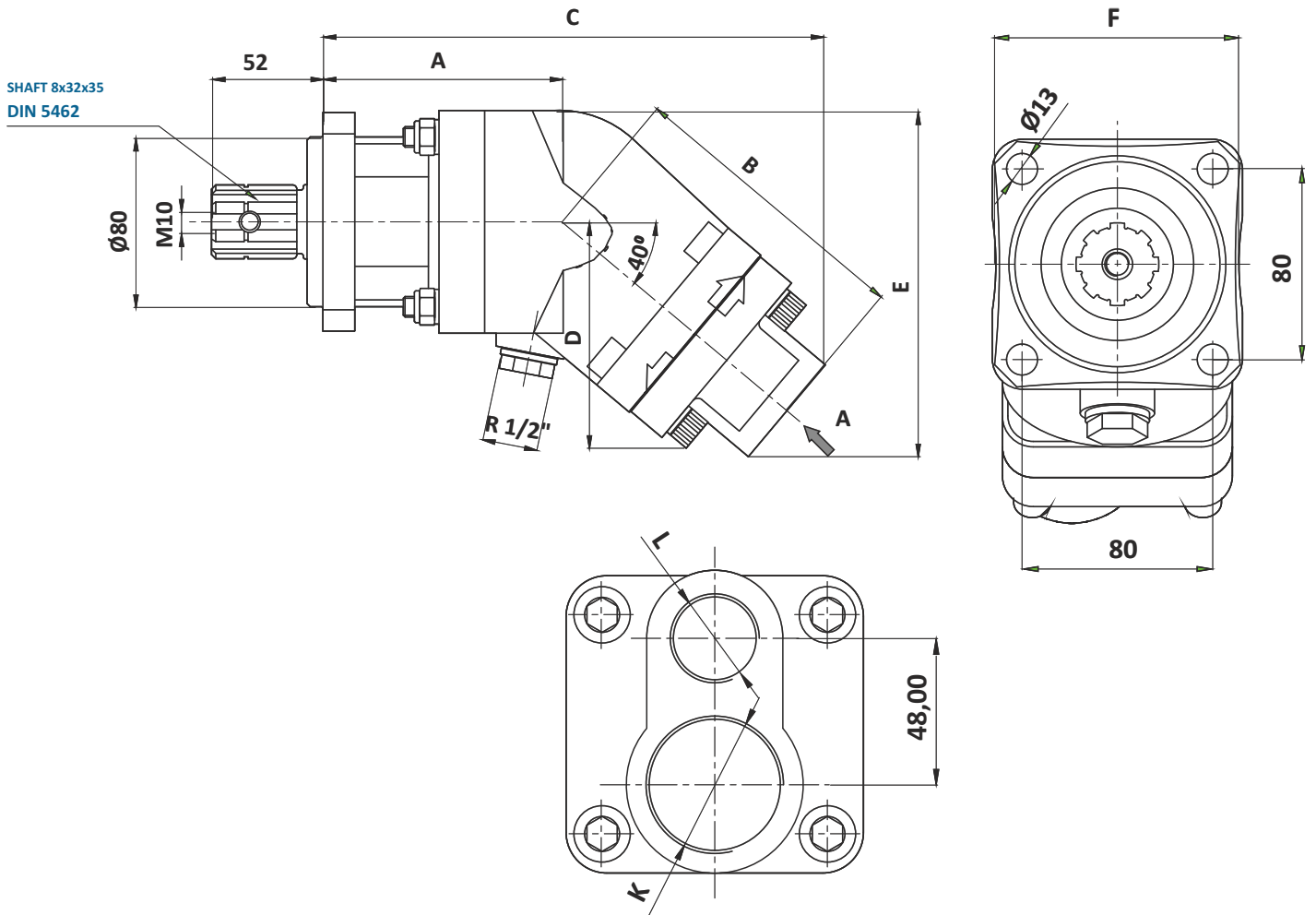
# PBA 25 cc



Pump Type	Displacement <sup>cc</sup>	Max. Continuous Speed <sup>n(min<sup>-1</sup>)</sup>	Min. Intermittent Speed <sup>n(min<sup>-1</sup>)</sup>	Max. Intermittent Speed <sup>n(min<sup>-1</sup>)</sup>	Max. Continuous Pressure <sup>bar</sup>	Max. Intermittent Pressure <sup>bar</sup>	Max. Peak Pressure <sup>bar</sup>	Weight without inlet fitting <sup>kg</sup>	Weight with inlet fitting <sup>kg</sup>
PBA 25	25,40	2300	300	2700	400/5801	-	450/6525	9,00	9,35

Pump Type	A	B	C	D	E	F	K (oil inlet)	L (oil outlet)	Fluid	Rotation
PBA 25	95,00	120,00	220,00	90,00	140,00	80,00	R1 1/4"	R 3/4"	Mineral based hydraulic oils	CW-CCW

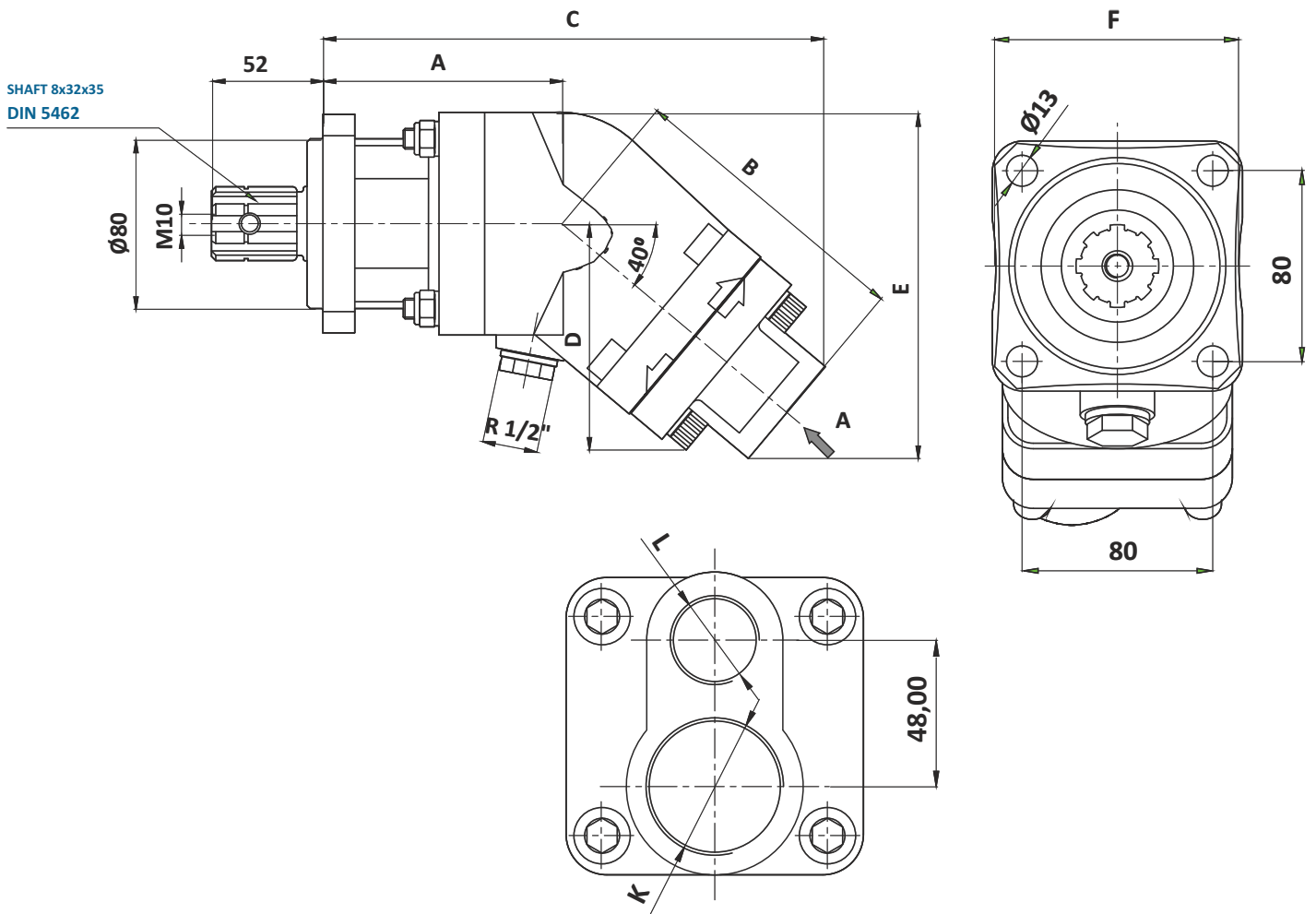
# PBA 35 cc



Pump Type	Displacement <sup>cc</sup>	Max. Continuous Speed <sup>n(min<sup>-1</sup>)</sup>	Min. Intermittent Speed <sup>n(min<sup>-1</sup>)</sup>	Max. Intermittent Speed <sup>n(min<sup>-1</sup>)</sup>	Max. Continuous Pressure <sup>bar</sup>	Max. Intermittent Pressure <sup>bar</sup>	Max. Peak Pressure <sup>bar</sup>	Weight without inlet fitting <sup>kg</sup>	Weight with inlet fitting <sup>kg</sup>
PBA 35	35,40	2250	300	2600	400/5801	-	450/6525	13,00	13,40

Pump Type	A	B	C	D	E	F	K (oil inlet)	L (oil outlet)	Fluid	Rotation
PBA 35	110,00	135,00	235,00	105,00	160,00	100,00	R1 1/4"	R 3/4"	Mineral based hydraulic oils	CW-CCW

# PBA 45 cc

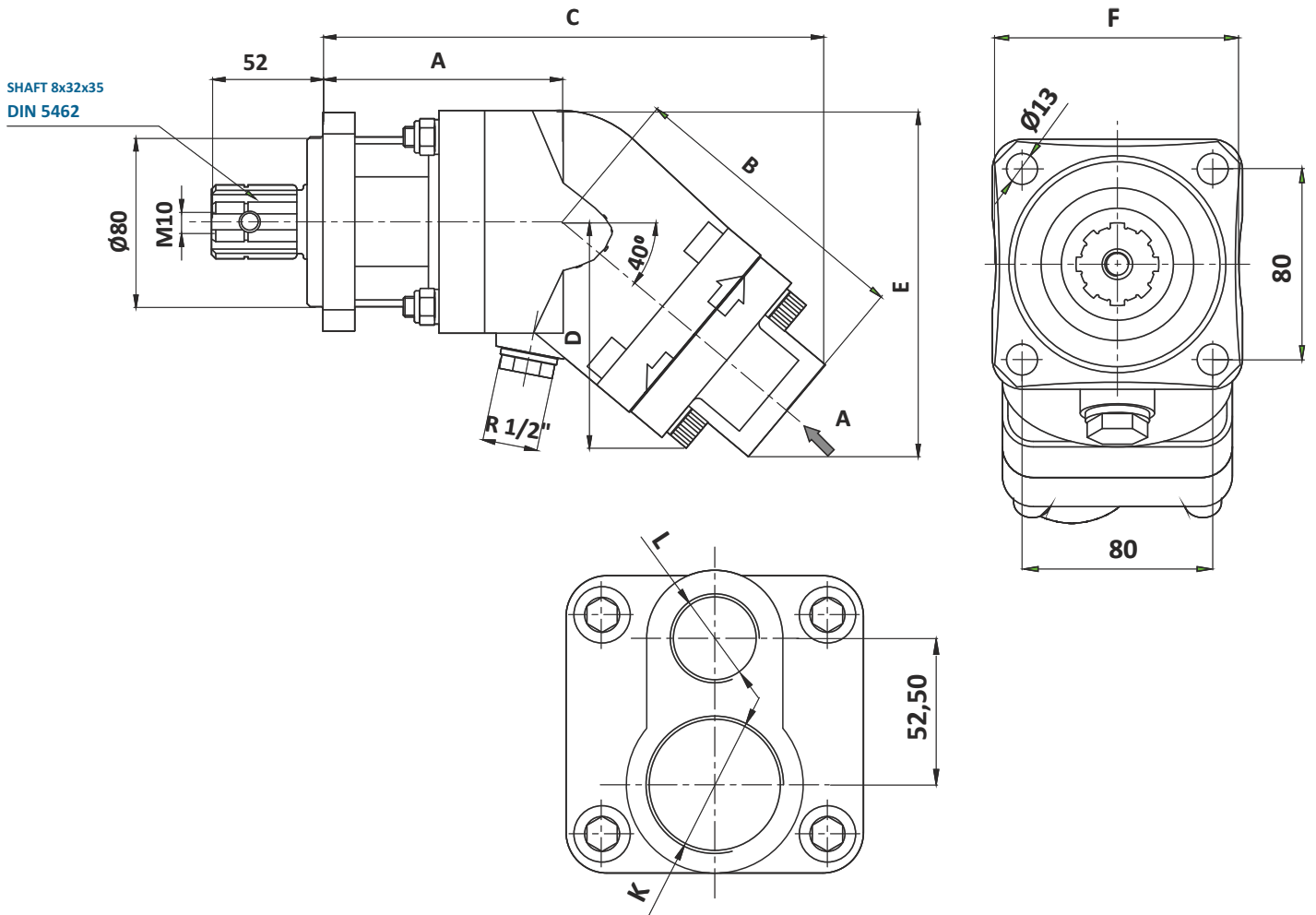


Pump Type	Displacement <sup>cc</sup>	Max. Continuous Speed <sup>n(min<sup>-1</sup>)</sup>	Min. Intermittent Speed <sup>n(min<sup>-1</sup>)</sup>	Max. Intermittent Speed <sup>n(min<sup>-1</sup>)</sup>	Max. Continuous Pressure <sup>bar</sup>	Max. Intermittent Pressure <sup>bar</sup>	Max. Peak Pressure <sup>bar</sup>	Weight without inlet fitting <sup>kg</sup>	Weight with inlet fitting <sup>kg</sup>
PBA 45	45,40	2100	300	2500	400/5801	-	450/6525	14,00	14,40

Pump Type	A	B	C	D	E	F	K (oil inlet)	L (oil outlet)	Fluid	Rotation
PBA 45	110,00	135,00	235,00	105,00	160,00	100,00	R1 1/4"	R 3/4"	Mineral based hydraulic oils	CW-CCW



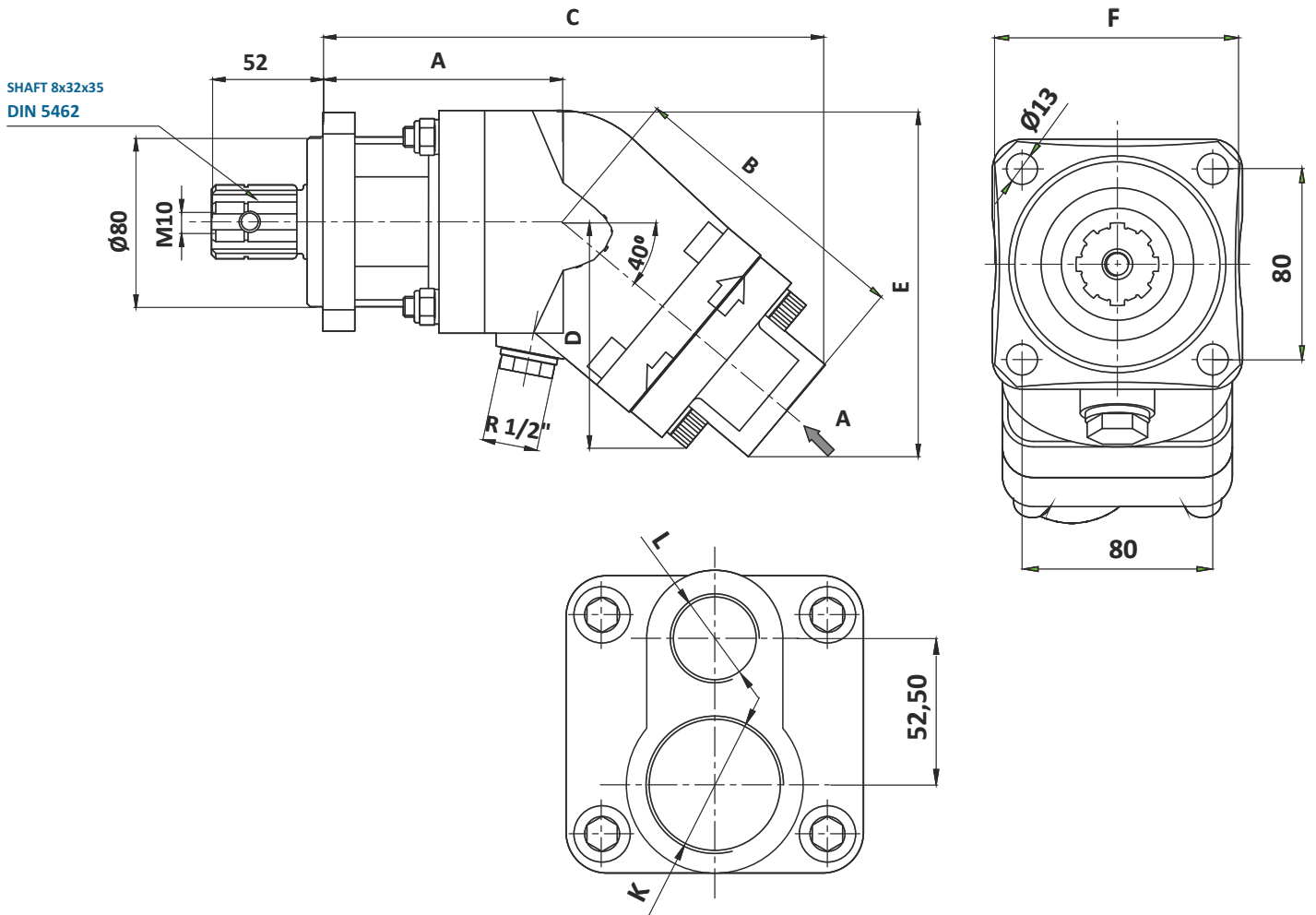
# PBA 55 cc



Pump Type	Displacement <sup>cc</sup>	Max. Continuous Speed <sup>n(min<sup>-1</sup>)</sup>	Min. Intermittent Speed <sup>n(min<sup>-1</sup>)</sup>	Max. Intermittent Speed <sup>n(min<sup>-1</sup>)</sup>	Max. Continuous Pressure <sup>bar</sup>	Max. Intermittent Pressure <sup>bar</sup>	Max. Peak Pressure <sup>bar</sup>	Weight without inlet fitting <sup>kg</sup>	Weight with inlet fitting <sup>kg</sup>
PBA 55	54,80	2050	300	2500	350/5076	-	400/5800	15,00	15,40

Pump Type	A	B	C	D	E	F	K (oil inlet)	L (oil outlet)	Fluid	Rotation
PBA 55	113,00	150,00	251,00	115,00	160,00	108,00	R1 1/4"	R 3/4"	Mineral based hydraulic oils	CW-CCW

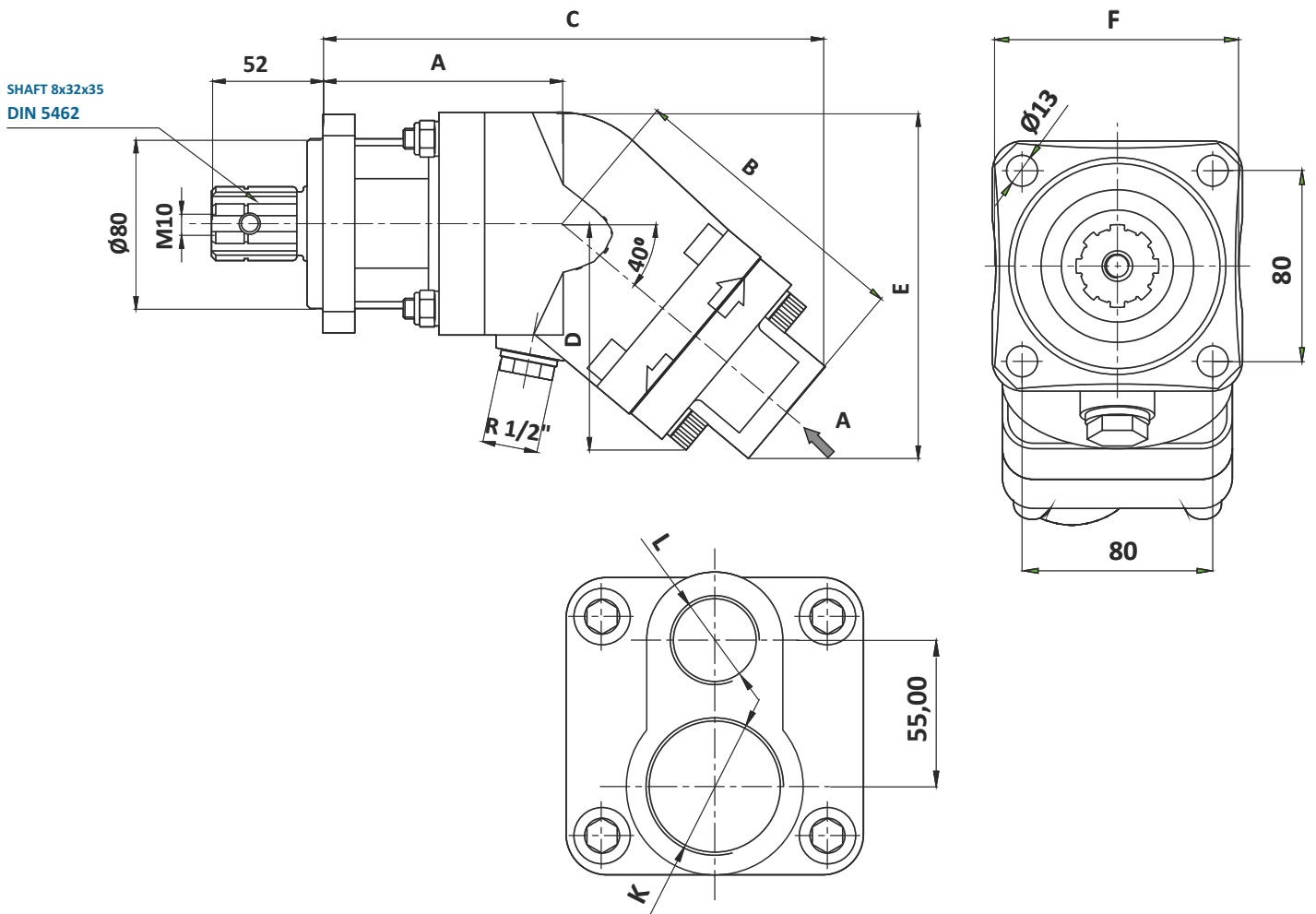
# PBA 65 cc



Pump Type	Displacement <sup>cc</sup>	Max. Continuous Speed <sup>rpm</sup>	Min. Intermittent Speed <sup>rpm</sup>	Max. Intermittent Speed <sup>rpm</sup>	Max. Continuous Pressure <sup>bar</sup>	Max. Intermittent Pressure <sup>bar</sup>	Max. Peak Pressure <sup>bar</sup>	Weight without inlet fitting <sup>kg</sup>	Weight with inlet fitting <sup>kg</sup>
PBA 65	63,80	2000	300	2400	350/5076	-	400/5800	15,00	15,40

Pump Type	A	B	C	D	E	F	K (oil inlet)	L (oil outlet)	Fluid	Rotation
PBA 65	113,00	150,00	251,00	115,00	160,00	108,00	R1 1/4"	R 3/4"	Mineral based hydraulic oils	CW-CCW

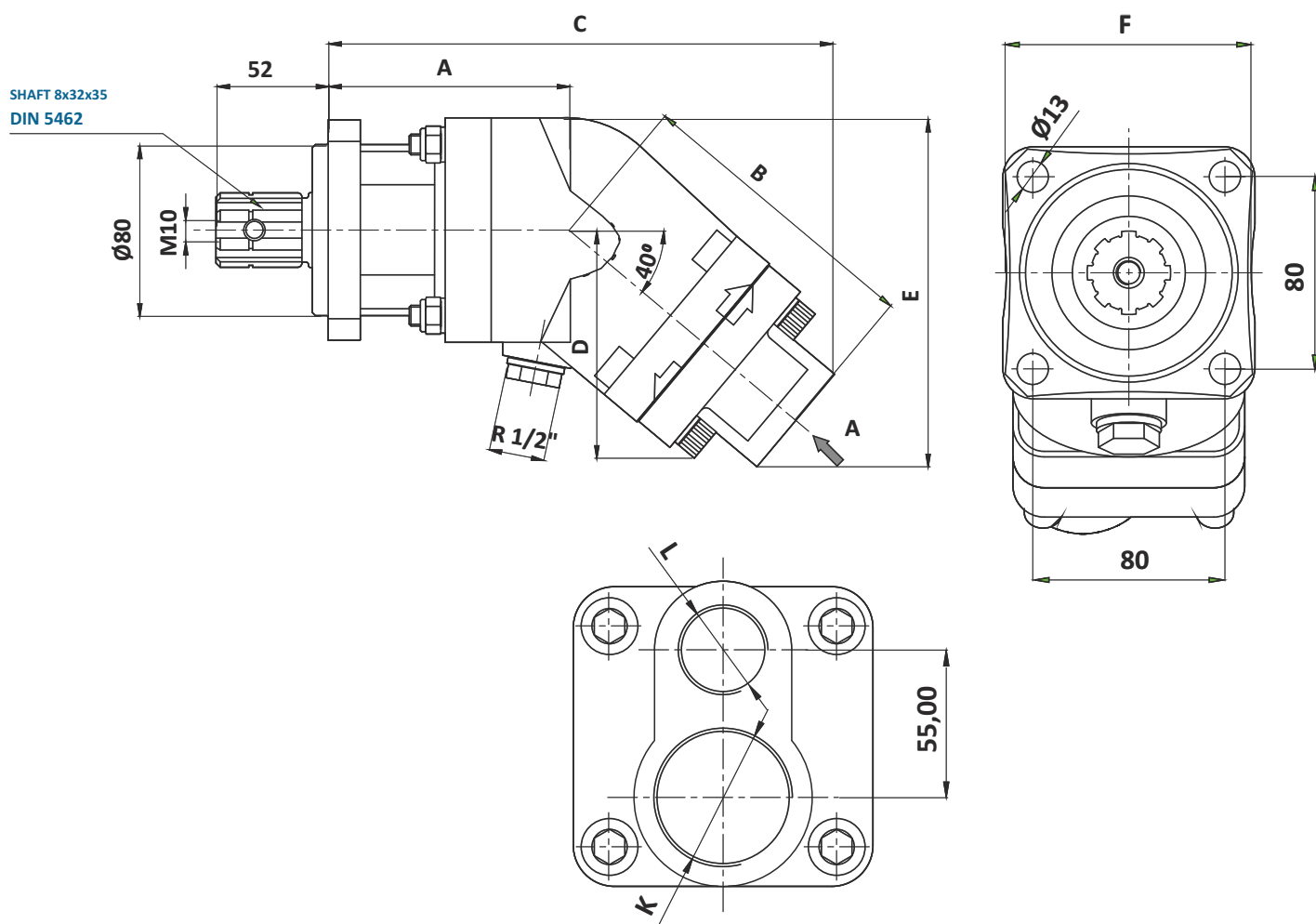
# PBA 85 cc



Pump Type	Displacement <sup>cc</sup>	Max. Continuous Speed <sup>n(min<sup>-1</sup>)</sup>	Min. Intermittent Speed <sup>n(min<sup>-1</sup>)</sup>	Max. Intermittent Speed <sup>n(min<sup>-1</sup>)</sup>	Max. Continuous Pressure <sup>bar</sup>	Max. Intermittent Pressure <sup>bar</sup>	Max. Peak Pressure <sup>bar</sup>	Weight without inlet fitting <sup>kg</sup>	Weight with inlet fitting <sup>kg</sup>
PBA 85	85,30	1900	300	2250	350/5076	-	400/5800	17,50	17,90

Pump Type	A	B	C	D	E	F	K (oil inlet)	L (oil outlet)	Fluid	Rotation
PBA 85	125,00	160,00	295,00	128,00	190,00	115,00	R1 1/2"	R 1"	Mineral based hydraulic oils	CW-CCW

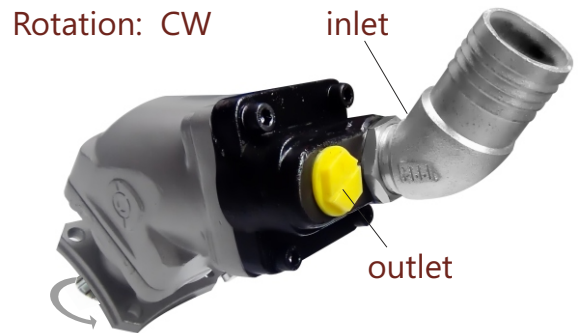
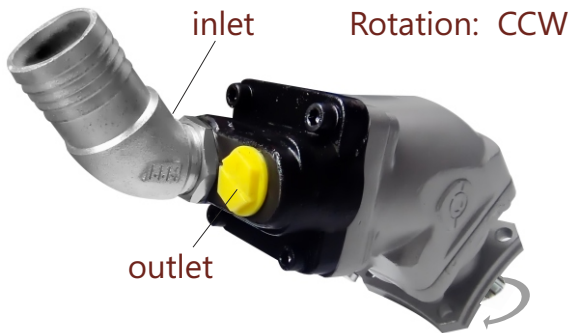
# PBA 105 cc



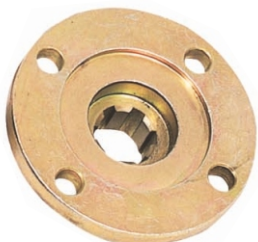
Pump Type	Displacement <sup>cc</sup>	Max. Continuous Speed <sup>rpm</sup>	Min. Intermittent Speed <sup>rpm</sup>	Max. Intermittent Speed <sup>rpm</sup>	Max. Continuous Pressure <sup>bar</sup>	Max. Intermittent Pressure <sup>bar</sup>	Max. Peak Pressure <sup>bar</sup>	Weight without inlet fitting <sup>kg</sup>	Weight with inlet fitting <sup>kg</sup>
PBA 105	105,80	1900	300	2250	350/5076	-	400/5800	18,00	18,50

Pump Type	A	B	C	D	E	F	K (oil inlet)	L (oil outlet)	Fluid	Rotation
PBA 105	125,00	160,00	295,00	128,00	190,00	115,00	R1 1/2"	R 1"	Mineral based hydraulic oils	CW-CCW

# Direction of Rotation



# Accessories of PBA Pumps



# Other Product Ranges



2PBA Pumps

PBX Pumps



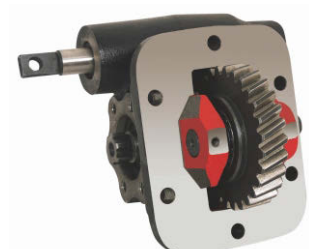
PA Pumps

PH Pumps



HDP Pumps

Power Take Off



## ÇELEBİ HİDROCEL OTO. SAN. TİC. LTD. ŞTİ.

Head Office & Factory;  
Fevzi Çakmak Mh. 10641. Sk. No:2  
P: 42090 Karatay / Konya / TURKEY

Complete catalogues available at : [www.hidrocel.com.tr](http://www.hidrocel.com.tr)

Tel: +90 332 345 13 70  
+90 332 345 13 71

Fax: +90 332 345 13 72

[hidrocel@hidrocel.com.tr](mailto:hidrocel@hidrocel.com.tr)

**21<sup>TH</sup> ANNIVERSARY**



There are many types of  
**Piston Pumps**  
only our company producing in Turkey...

# PH Series

## High Pressure Piston Pumps



compact design,  
heavy duty app.,  
direct mounting  
on the equipment....





# Contents

Design of <b>PH</b> Pumps	3
Range and characteristics	4
<b>PH</b> 02 Lt.	5
<b>PH</b> 04 Lt.	6
<b>PH</b> 06 Lt.	7
<b>PH</b> 12 Lt.	8
<b>PH</b> 15 Lt.	9
<b>PH</b> 22 Lt.	10
<b>PH</b> 35 Lt.	11
<b>PH</b> 45 Lt.	12
Other Product Ranges	13
Contact & Information	14

# Design of PH Pumps



# Range and Characteristics

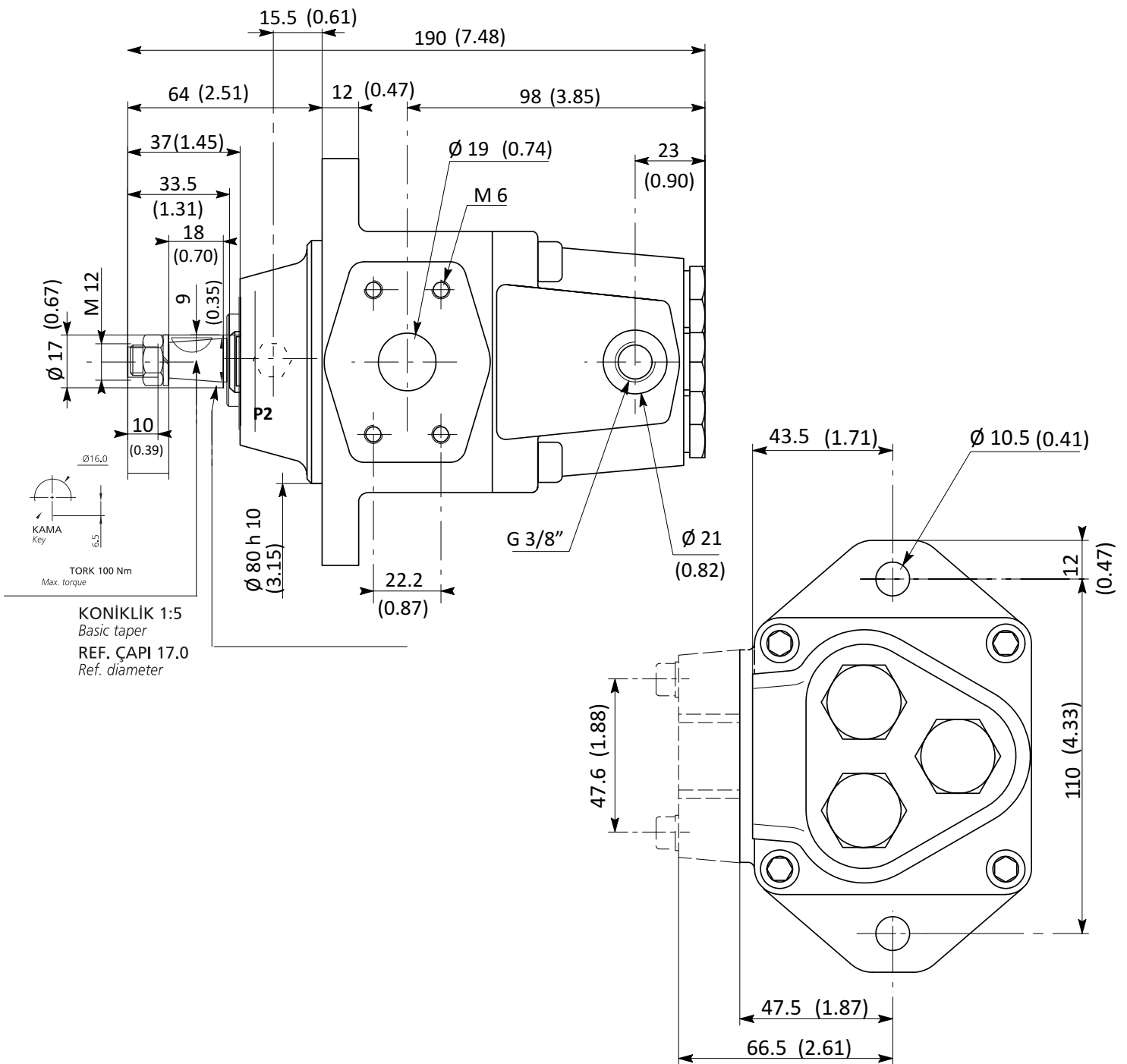


Pump Type	Debi / Flow 1500 rpm	Max. Continuous Speed n(min <sup>-1</sup> )	Min. Intermittent Speed n(min <sup>-1</sup> )	Max. Intermittent Speed n(min <sup>-1</sup> )	Max. Continuous Pressure bar	Max. Intermittent Pressure bar	Max. Peak Pressure bar	Weight without inlet fitting kg	Weight with inlet fitting kg
PH 02	2,00	3000	300	3500	600	-	700	5,50	5,60
PH 04	4,00	3000	300	3500	600	-	700	5,50	5,60
PH 06	6,50	3000	300	3500	600	-	700	5,50	5,60
PH 12	12,00	2800	300	3000	450	-	500	8,00	8,15
PH 15	15,00	2800	350	3000	400	-	500	8,00	8,15
PH 22	22,00	2800	350	3000	400	-	500	8,00	8,15

Pump Type	Debi / Flow 1500 rpm	Test Pressure	Normal Pressure	-A- Oil Inlet	-B- Oil Outlet	Piston Unit	Minimum Speed	Weight without inlet fitting kg	Weight with inlet fitting kg
PH 35	35,00	500 bar	400 bar	47,80 mm	26,44 mm	6	1500 dev/dk rpm	12,00	12,25
PH 45	45,00	500 bar	400 bar	47,80 mm	26,44 mm	6	1500 dev/dk rpm	12,00	12,25

Pump Type	Displacement	Max. Continuous Pressure	Max. Peak Pressure	Self-Priming Speed	Peak Speed	Inlet Ø	Outlet Ø	Fluid	Rotation
PH 02	1,56 cm <sup>3</sup> / rev	600 bar (8700 psi)	700 bar (10140 psi)	3000 rpm	3500 rpm	G 1"	G 1/4"	Mineral based hydraulic oils	Bi-Directional
PH 04	2,70 cm <sup>3</sup> / rev	600 bar (8700 psi)	700 bar (10140 psi)	3000 rpm	3500 rpm	G 1"	G 1/4"	Mineral based hydraulic oils	Bi-Directional
PH 06	4,40 cm <sup>3</sup> / rev	600 bar (8700 psi)	700 bar (10140 psi)	3000 rpm	3500 rpm	G 1"	G 1/4"	Mineral based hydraulic oils	Bi-Directional
PH 12	7,80 cm <sup>3</sup> / rev	450 bar	500 bar	2800 rpm	3000 rpm	G 1"	G 1/4"	Mineral based hydraulic oils	Bi-Directional
PH 15	10,50 cm <sup>3</sup> / rev	400 bar	500 bar	2800 rpm	3000 rpm	G 1"	G 1/4"	Mineral based hydraulic oils	Bi-Directional
PH 22	14,73 cm <sup>3</sup> / rev	400 bar	500 bar	2800 rpm	3000 rpm	G 1"	G 1/4"	Mineral based hydraulic oils	Bi-Directional
PH 35	23,70 cm <sup>3</sup> / rev					47,80 mm	26,44 mm	Mineral based hydraulic oils	Bi-Directional
PH 45	30,40 cm <sup>3</sup> / rev					47,80 mm	26,44 mm	Mineral based hydraulic oils	Bi-Directional

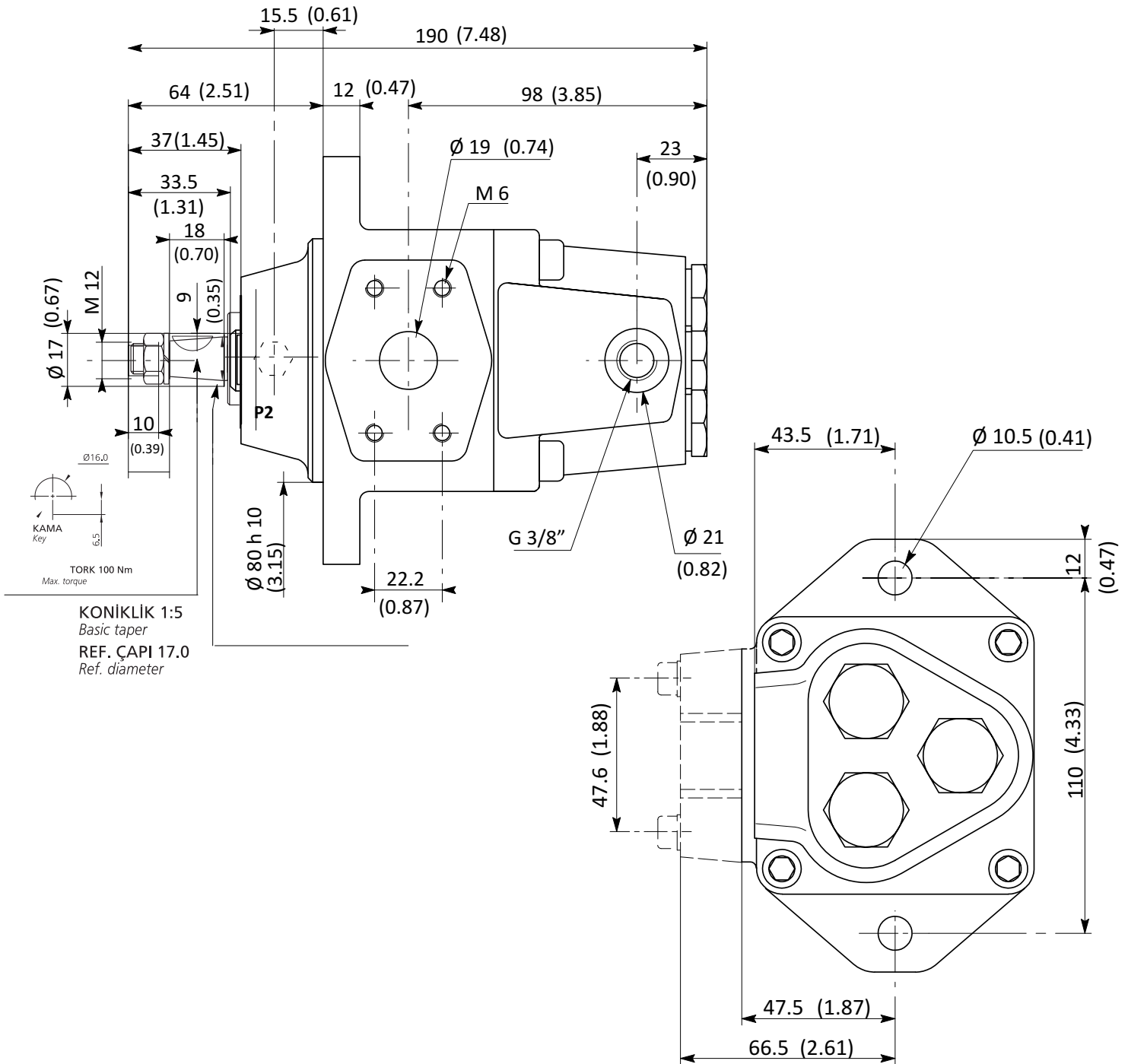
# PH 02 Lt



Pump Type	Debi / Flow 1500 rpm	Max. $n(\text{min}^{-1})$ Continuous Speed	Min. $n(\text{min}^{-1})$ Intermittent Speed	Max. $n(\text{min}^{-1})$ Intermittent Speed	Max. $\text{bar}$ Continuous Pressure	Max. $\text{bar}$ Intermittent Pressure	Max. $\text{bar}$ Peak Pressure	Weight without inlet fitting $\text{kg}$	Weight with inlet fitting $\text{kg}$
PH 02	2,00	3000	300	3500	600	-	700	5,50	5,60

Pump Type	Displacement	Max. Continuous Pressure	Max. Peak Pressure	Self-Priming Speed	Peak Speed	Inlet Ø	Outlet Ø	Fluid	Rotation
PH 02	1,56 cm <sup>3</sup> / rev	600 bar (8700 psi)	700 bar (10140 psi)	3000 rpm	3500 rpm	G 1"	G 1/4"	Mineral based hydraulic oils	Bi-Directional

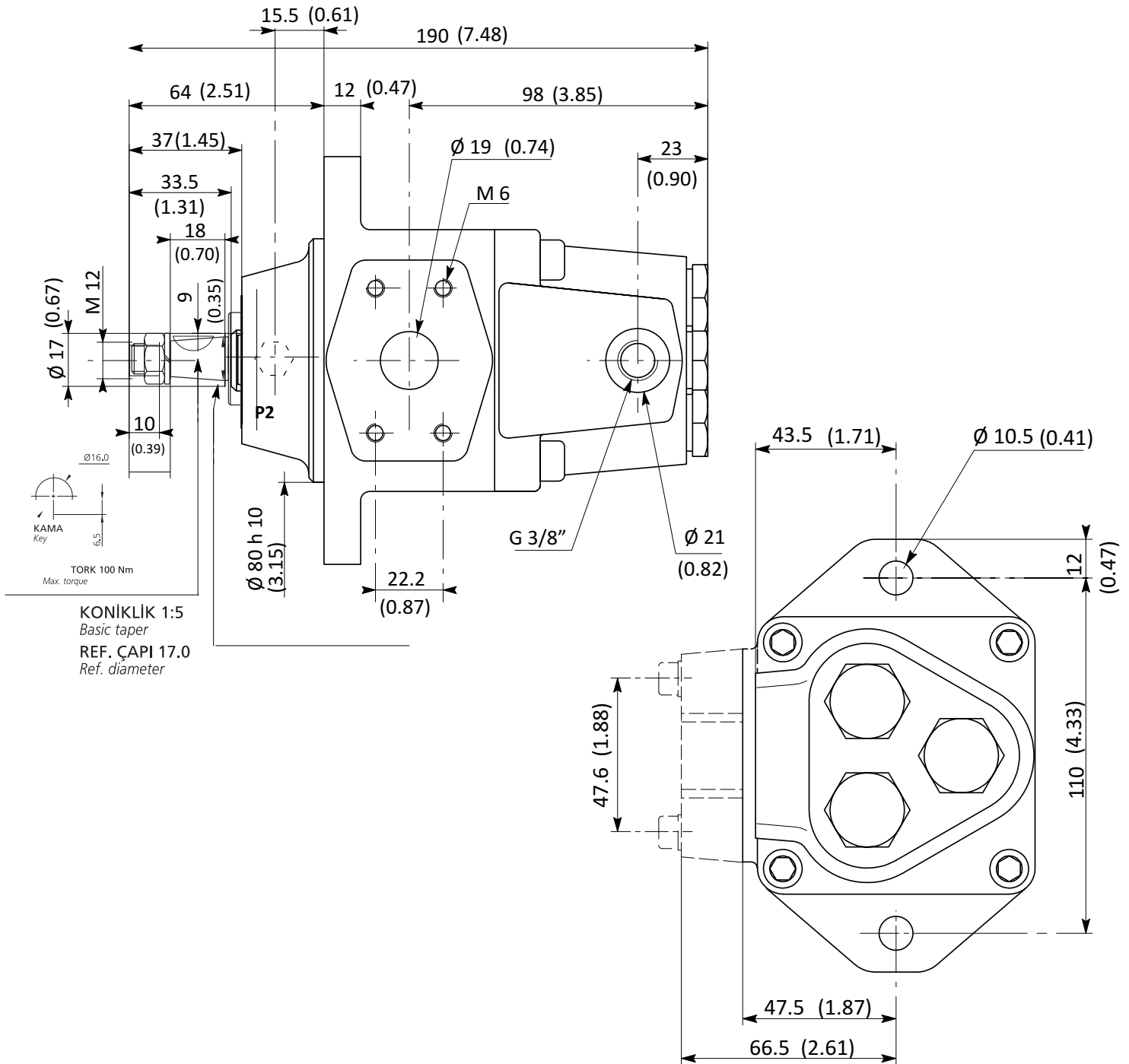
# PH 04 Lt



Pump Type	Debi / Flow 1500 rpm	Max. $n(\text{min}^{-1})$ Continuous Speed	Min. $n(\text{min}^{-1})$ Intermittent Speed	Max. $n(\text{min}^{-1})$ Intermittent Speed	Max. $\text{bar}$ Continuous Pressure	Max. $\text{bar}$ Intermittent Pressure	Max. $\text{bar}$ Peak Pressure	Weight without inlet fitting	Weight with inlet fitting
PH 04	4,00	3000	300	3500	600	-	700	5,50	5,60

Pump Type	Displacement	Max. Continuous Pressure	Max. Peak Pressure	Self-Priming Speed	Peak Speed	Inlet $\varnothing$	Outlet $\varnothing$	Fluid	Rotation
PH 04	2,70 cm <sup>3</sup> / rev	600 bar (8700 psi)	700 bar (10140 psi)	3000 rpm	3500 rpm	G 1"	G 1/4"	Mineral based hydraulic oils	Bi-Directional

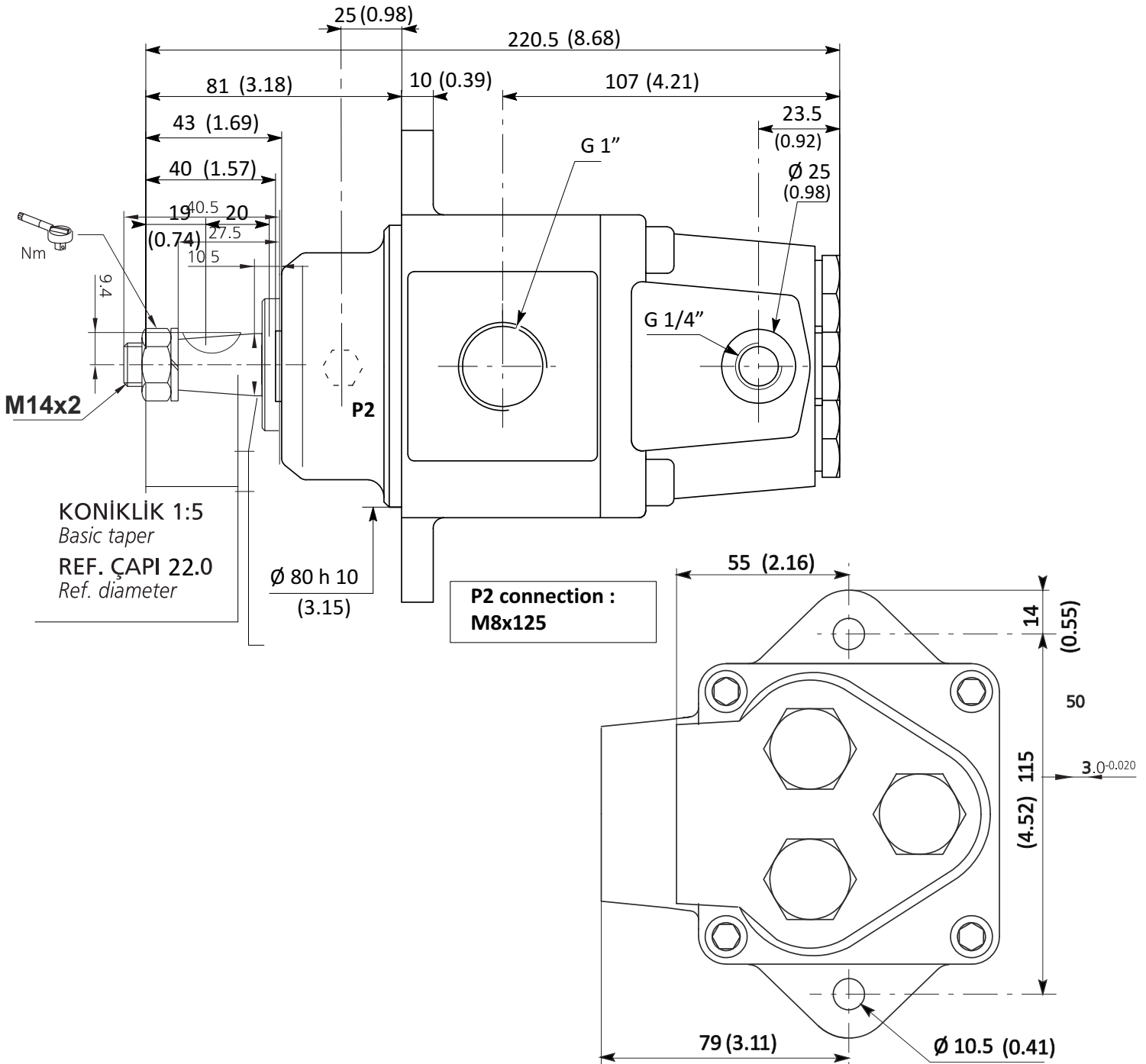
# PH 06 Lt



Pump Type	Debi / Flow 1500 rpm	Max. $n(\text{min}^{-1})$ Continuous Speed	Min. $n(\text{min}^{-1})$ Intermittent Speed	Max. $n(\text{min}^{-1})$ Intermittent Speed	Max. $\text{bar}$ Continuous Pressure	Max. $\text{bar}$ Intermittent Pressure	Max. $\text{bar}$ Peak Pressure	Weight without inlet fitting	Weight with inlet fitting
PH 06	6,50	3000	300	3500	600	-	700	5,50	5,60

Pump Type	Displacement	Max. Continuous Pressure	Max. Peak Pressure	Self-Priming Speed	Peak Speed	Inlet $\varnothing$	Outlet $\varnothing$	Fluid	Rotation
PH 06	4,40 cm <sup>3</sup> / rev	600 bar (8700 psi)	700 bar (10140 psi)	3000 rpm	3500 rpm	G 1"	G 1/4"	Mineral based hydraulic oils	Bi-Directional

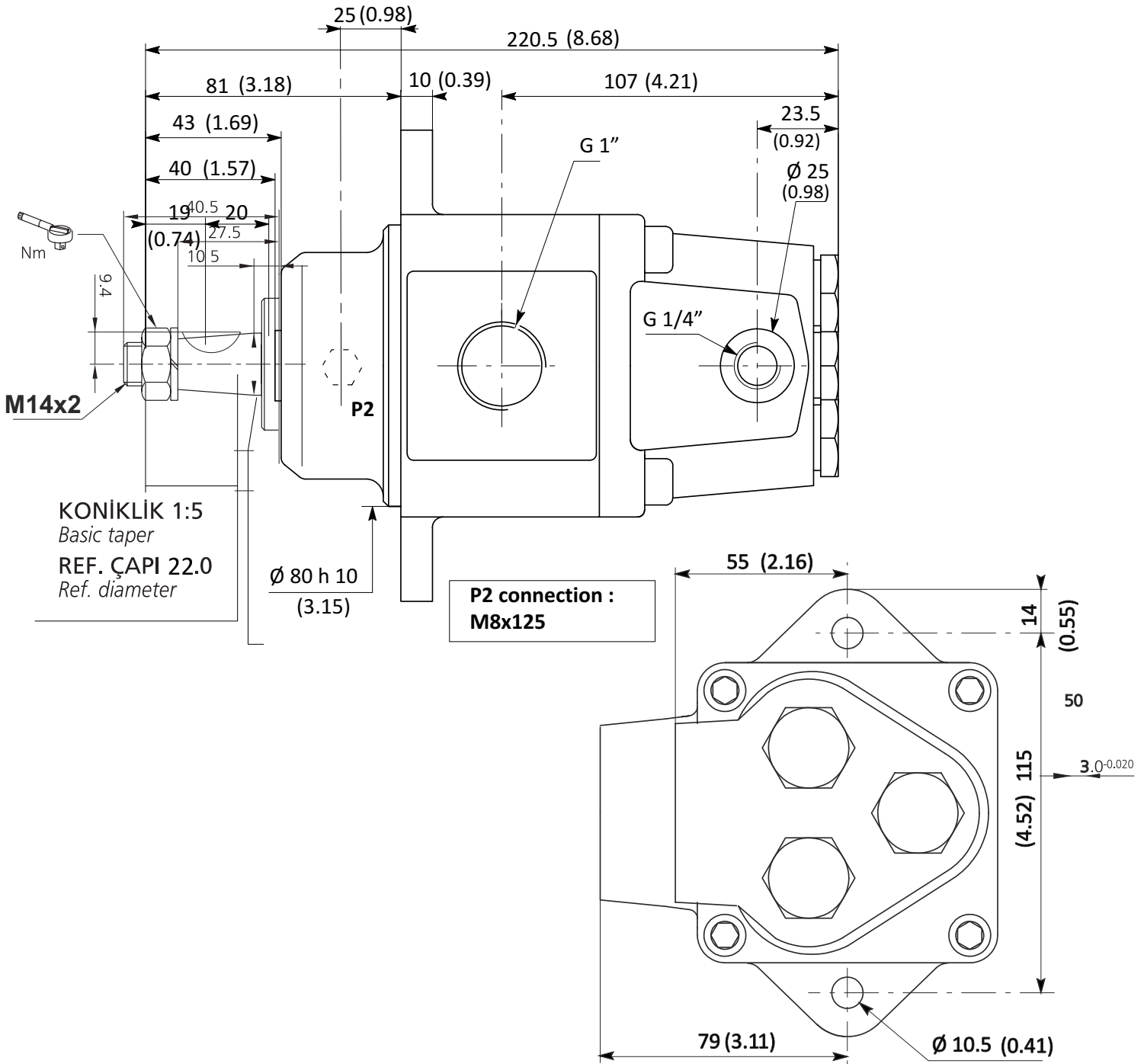
# PH 12 Lt



Pump Type	Debi / Flow 1500 rpm	Max. $n(\text{min}^{-1})$ Continuous Speed	Min. $n(\text{min}^{-1})$ Intermittent Speed	Max. $n(\text{min}^{-1})$ Intermittent Speed	Max. $\text{bar}$ Continuous Pressure	Max. $\text{bar}$ Intermittent Pressure	Max. $\text{bar}$ Peak Pressure	Weight without inlet fitting $\text{kg}$	Weight with inlet fitting $\text{kg}$
PH 12	12,00	2800	300	3000	450	-	500	8,00	8,15

Pump Type	Displacement	Max. Continuous Pressure	Max. Peak Pressure	Self-Priming Speed	Peak Speed	Inlet Ø	Outlet Ø	Fluid	Rotation
PH 12	7,80 cm <sup>3</sup> / rev	450 bar	500 bar	2800 rpm	3000 rpm	G 1"	G 1/4"	Mineral based hydraulic oils	Bi-Directional

# PH 15 Lt

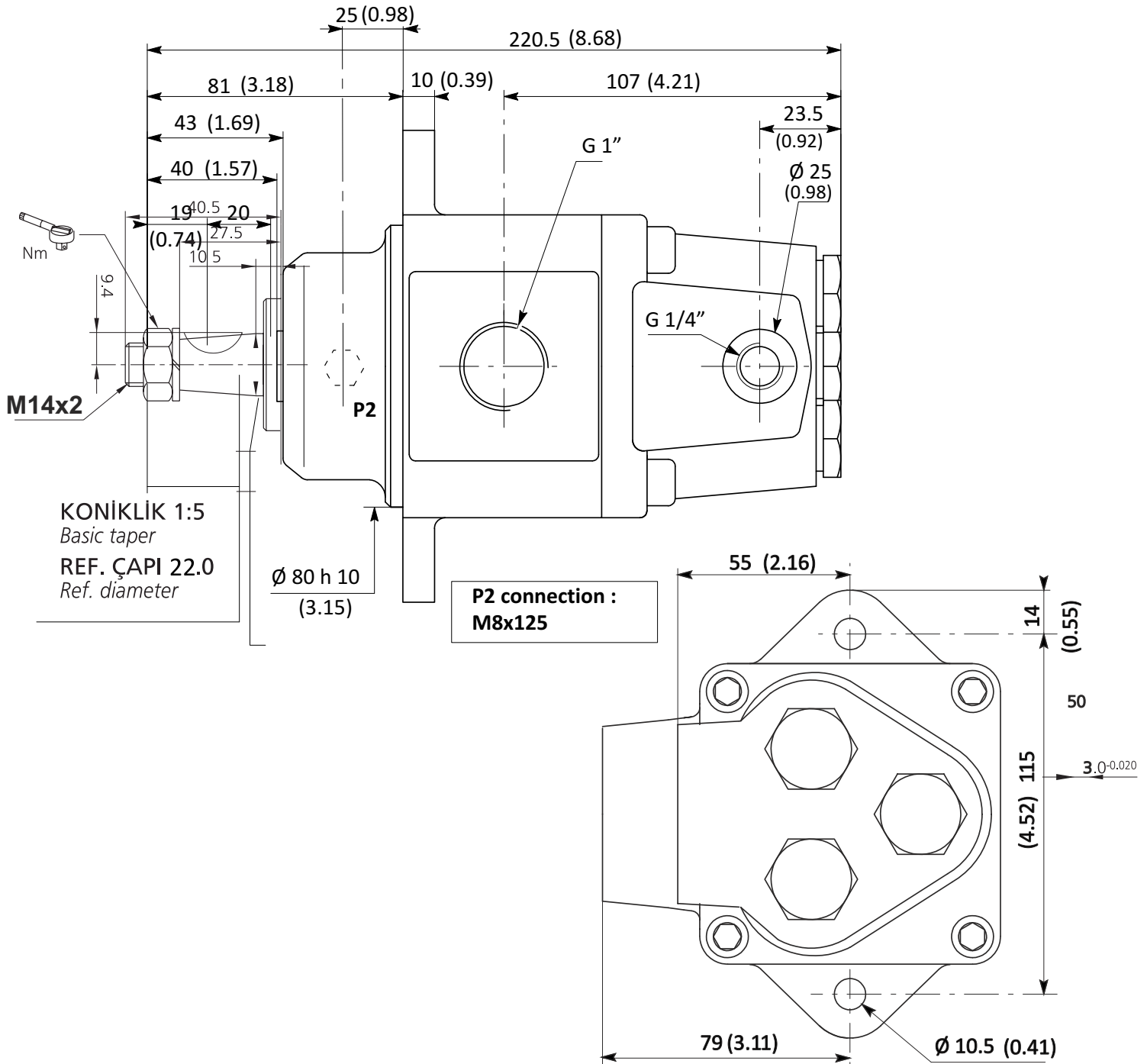


Pump Type	Debi / Flow 1500 rpm	Max. $n(\text{min}^{-1})$ Continuous Speed	Min. $n(\text{min}^{-1})$ Intermittent Speed	Max. $n(\text{min}^{-1})$ Intermittent Speed	Max. $\text{bar}$ Continuous Pressure	Max. $\text{bar}$ Intermittent Pressure	Max. $\text{bar}$ Peak Pressure	Weight without inlet fitting $\text{kg}$	Weight with inlet fitting $\text{kg}$
PH 15	15,00	2800	300	3000	400	-	500	8,00	8,15

Pump Type	Displacement	Max. Continuous Pressure	Max. Peak Pressure	Self-Priming Speed	Peak Speed	Inlet $\varnothing$	Outlet $\varnothing$	Fluid	Rotation
PH 15	10,50 cm <sup>3</sup> / rev	400 bar	500 bar	2800 rpm	3000 rpm	G 1"	G 1/4"	Mineral based hydraulic oils	Bi-Directional



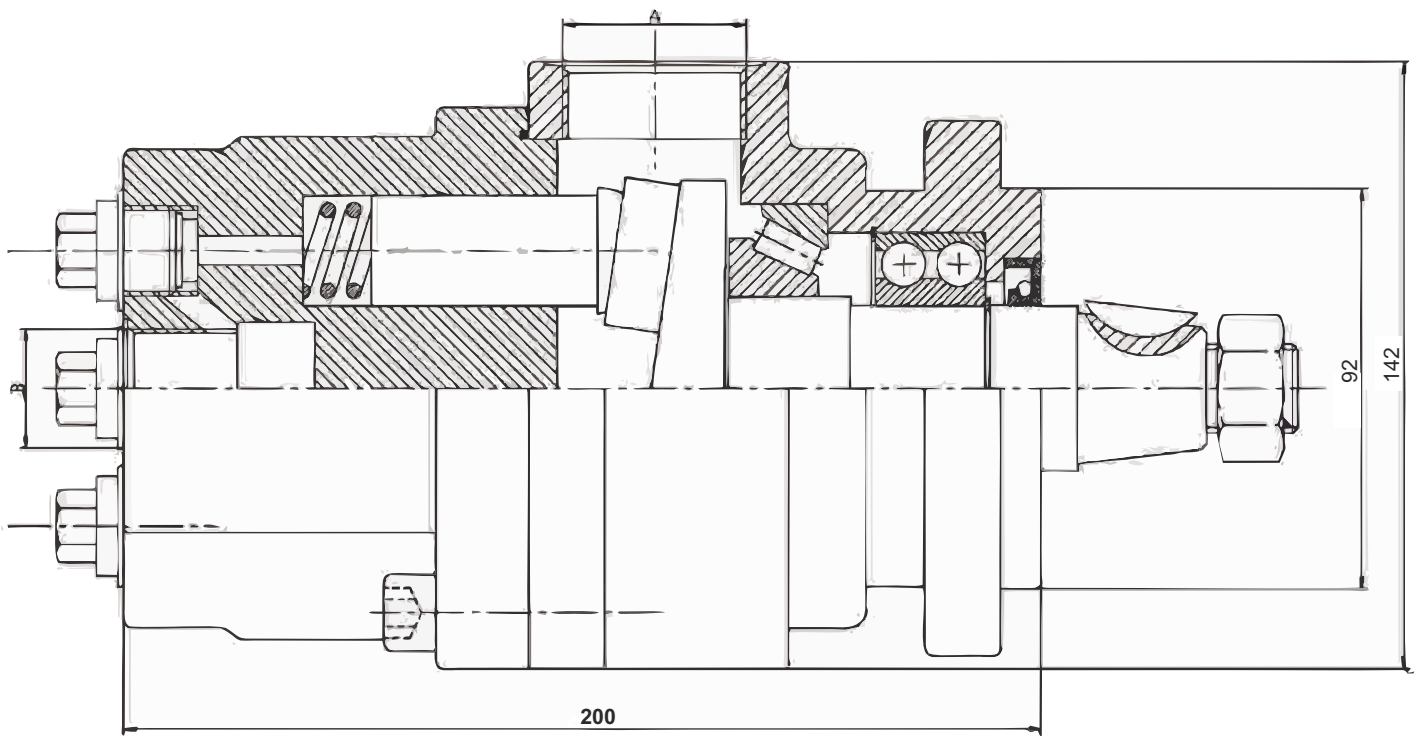
# PH 22 Lt



Pump Type	Debi / Flow 1500 rpm	Max. $n(\text{min}^{-1})$ Continuous Speed	Min. $n(\text{min}^{-1})$ Intermittent Speed	Max. $n(\text{min}^{-1})$ Intermittent Speed	Max. $\text{bar}$ Continuous Pressure	Max. $\text{bar}$ Intermittent Pressure	Max. $\text{bar}$ Peak Pressure	Weight without inlet fitting $\text{kg}$	Weight with inlet fitting $\text{kg}$
PH 22	22,00	2800	350	3000	400	-	500	8,00	8,15

Pump Type	Displacement	Max. Continuous Pressure	Max. Peak Pressure	Self-Priming Speed	Peak Speed	Inlet Ø	Outlet Ø	Fluid	Rotation
PH 22	14,73 cm <sup>3</sup> / rev	400 bar	500 bar	2800 rpm	3000 rpm	G 1"	G 1/4"	Mineral based hydraulic oils	Bi-Directional

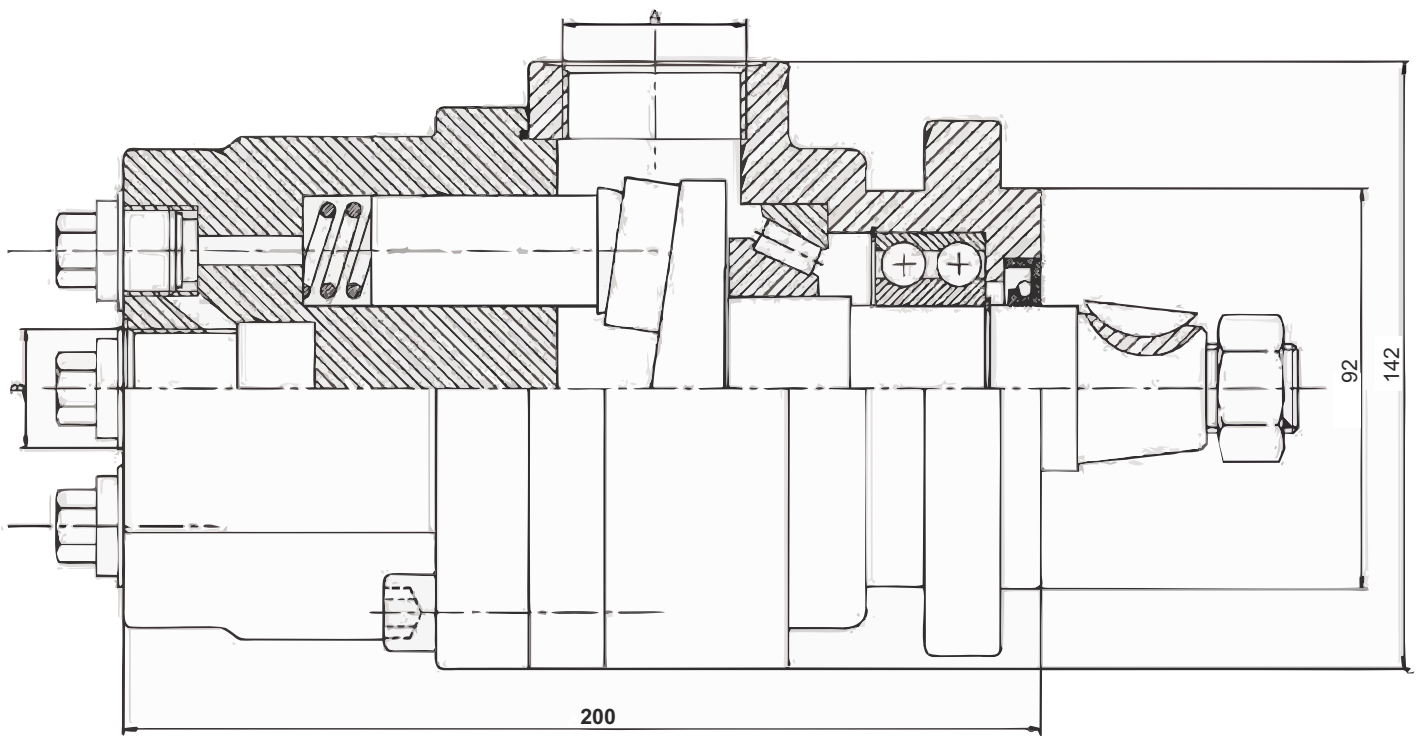
# PH 35 Lt



Pump Type	Debi / Flow <b>1500 rpm</b>	Test Pressure	Normal Pressure	-A- Oil Inlet	-B- Oil Outlet	Piston Unit	Minimum Speed (rpm)	Weight without inlet fitting <sup>kg</sup>	Weight with inlet fitting <sup>kg</sup>
PH 35	35,00	500 bar	400 bar	47,80 mm	26,44 mm	6	1500 dev/dk	12,00	12,25

Pump Type	Displacement	Max. Continuous Pressure	Max. Peak Pressure	Self-Priming Speed	Peak Speed	Inlet Ø	Outlet Ø	Fluid	Rotation
PH 35	23,70 cm <sup>3</sup> / rev					47,80 mm	26,44 mm	Mineral based hydraulic oils	Bi-Directional

# PH 45 Lt



Pump Type	Debi / Flow <b>1500 rpm</b>	Test Pressure	Normal Pressure	-A- Oil Inlet	-B- Oil Outlet	Piston Unit	Minimum Speed (rpm)	Weight without inlet fitting <sup>kg</sup>	Weight with inlet fitting <sup>kg</sup>
PH 45	45,00	500 bar	400 bar	47,80 mm	26,44 mm	6	1500 dev/dk	12,00	12,25

Pump Type	Displacement	Max. Continuous Pressure	Max. Peak Pressure	Self-Priming Speed	Peak Speed	Inlet Ø	Outlet Ø	Fluid	Rotation
PH 45	30,40 cm <sup>3</sup> / rev					47,80 mm	26,44 mm	Mineral based hydraulic oils	Bi-Directional

# Other Product Ranges



2PBA Pumps

PBA Pumps



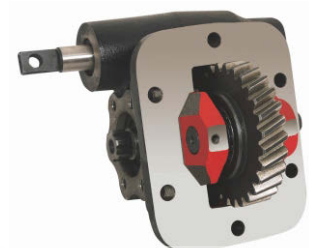
PBX Pumps

PA Pumps



HDP Pumps

Power Take Off



## ÇELEBİ HİDROCEL OTO. SAN. TİC. LTD. ŞTİ.

Head Office & Factory;  
Fevzi Çakmak Mh. 10641. Sk. No:2  
P: 42090 Karatay / Konya / TURKEY

Complete catalogues available at : [www.hidrocel.com.tr](http://www.hidrocel.com.tr)

Tel: +90 332 345 13 70  
+90 332 345 13 71

Fax: +90 332 345 13 72

[hidrocel@hidrocel.com.tr](mailto:hidrocel@hidrocel.com.tr)

**21<sup>TH</sup> ANNIVERSARY**



There are many types of  
**Piston Pumps**  
only our company producing in Turkey...