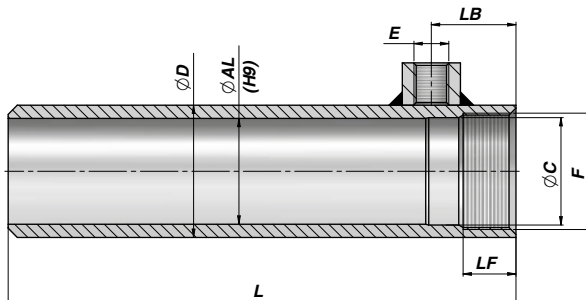
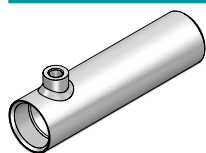




STL

TUBO TORNITO CON BORCHIA SALDATA  
TURNED CYLINDER TUBE WITH WELDED THREADED PORT

Series M250

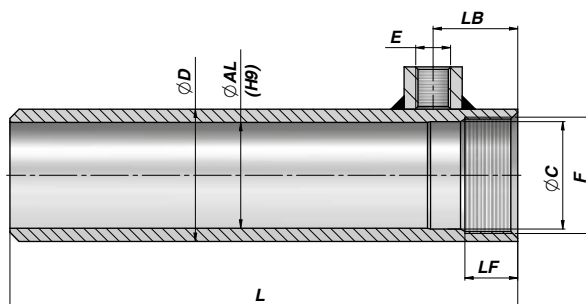


Codice Code	ØAL	Corsa Stroke	L	ØD	E BSP	LB	F	LF	ØC	kg
STFR025050050	25	50	95	35	1/4"	15	M28x1,5	13	-	0,40
STFR025050100		100	145							0,60
STFR025050150		150	195							0,70
STFR025050200		200	245							0,90
STFR032050050	32	50	127	42	1/4"	27	M36x1,5	16	32,6	0,60
STFR032050100		100	177							0,80
STFR032050150		150	227							1,00
STFR032050200		200	277							1,30
STFR032050250		250	327							1,50
STFR032050300		300	377							1,70
STFR032050400		400	477							2,20
STFR032050500	500	577	2,60							
STL1500100	40	100	192	50	1/4"	32	M44x1,5	20	40,6	1,09
STL1500150		150	242							1,37
STL1500200		200	292							1,64
STL1500250		250	342							1,92
STL1500300		300	392							2,19
STL1500350		350	442							2,47
STL1500400		400	492							2,74
STL1500450		450	542							3,02
STL1500500		500	592							3,30
STL1500550		550	642							3,57
STL1500600		600	692							3,85
STL2500100	50	100	202	60	3/8"	35	M54x1,5	23	50,6	1,40
STL2500150		150	252							1,74
STL2500200		200	302							2,08
STL2500250		250	352							2,42
STL2500300		300	402							2,75
STL2500350		350	452							3,09
STL2500400		400	502							3,43
STL2500450		450	552							3,76
STL2500500		500	602							4,10
STL2500550		550	652							4,44
STL2500600		600	702							4,77
STL2500700		700	802							5,44
STL2500800		800	902							6,12
STL2501000		1000	1102							7,47
STL2501500	1500	1602	10,17							
STL3500100	60	100	217	70	3/8"	40	M64x1,5	28	60,6	1,77
STL3500150		150	267							2,17
STL3500200		200	317							2,57
STL3500250		250	367							2,97
STL3500300		300	417							3,36
STL3500350		350	467							3,76
STL3500400		400	517							4,16
STL3500450		450	567							4,56
STL3500500		500	617							4,96
STL3500550		550	667							5,35
STL3500600		600	717							5,75
STL3500700 <b>NEW!</b>		700	817							6,49
STL3500800		800	917							7,35
STL3501000		1000	1117							8,94
STL3501500		1500	1617							12,95

TUBO TORNITO CON BORCHIA SALDATA  
TURNED CYLINDER TUBE WITH WELDED THREADED PORT

STL

Series M250

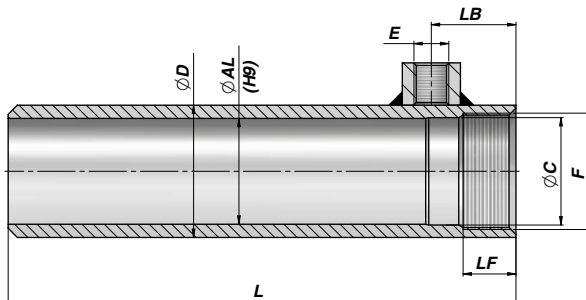
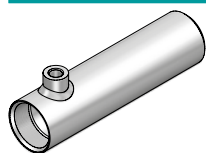


Codice Code	ØAL	Corsa Stroke	L	ØD	E BSP	LB	F	LF	ØC	kg
STL0630730200	63	200	317	73	3/8"	40	M68x1,5	26	64,1	2,59
STL0630730250		250	367							3,01
STL0630730300		300	417							3,43
STL0630730400		400	517							4,27
STL0630730500		500	617							5,11
STL0630730600		600	717							5,95
STL0630730700 <b>NEW!</b>		700	817							6,77
STL0630730800		800	917							7,63
STL0630731000		1000	1117							9,30
STL4500100		70	100							217
STL4500150	150		267	2,50						
STL4500200	200		317	2,96						
STL4500250	250		367	3,42						
STL4500300	300		417	3,87						
STL4500350	350		467	4,33						
STL4500400	400		517	4,79						
STL4500450	450		567	5,25						
STL4500500	500		617	5,71						
STL4500550	550		667	6,17						
STL4500600	600		717	6,63						
STL4500700 <b>NEW!</b>	700		817	7,48						
STL4500800	800		917	8,47						
STL4501000	1000		1117	10,31						
STL4501500	1500		1617	14,94						
STL5600200	80	200	335	92	1/2"	50	M85x2	34	80,6	4,29
STL5600250		250	385							4,92
STL5600300		300	435							5,56
STL5600400		400	535							6,82
STL5600500		500	635							8,08
STL5600600		600	735							9,35
STL5600700 <b>NEW!</b>		700	835							10,49
STL5600800		800	935							11,88
STL5601000		1000	1135							14,41
STL5601500		1500	1635							20,77
STL0901050300	90	300	440	105	1/2"	50	M95x2	34	90,6	7,79
STL0901050400		400	540							9,58
STL0901050500		500	640							11,37
STL0901050600		600	740							13,16
STL0901050700 <b>NEW!</b>		700	840							14,95
STL0901050800		800	940							16,74
STL0901051000		1000	1140							20,33

**STL**

TUBO TORNITO CON BORCHIA SALDATA  
TURNED CYLINDER TUBE WITH WELDED THREADED PORT

Series M250



Codice Code	ØAL	Corsa Stroke	L	ØD	E BSP	LB	F	LF	ØC	kg
STL6700200	100	200	360	115	1/2"	70	M105x2	52	100,6	7,17
STL6700250		250	410							8,16
STL6700300		300	460							9,14
STL6700400		400	560							11,12
STL6700500		500	660							13,09
STL6700600		600	760							15,07
STL6700700 <b>NEW!</b>		700	860							16,81
STL6700800		800	960							19,02
STL6701000		1000	1160							22,97
STL6701500		1500	1660							32,89

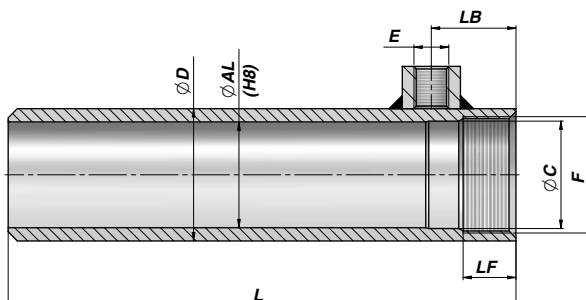
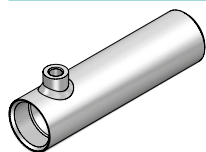
MATERIALE TUBO: ACCIAIO St 52.3 DIN 2393 ISO H9

TUBE MATERIAL : STEEL St 52.3 DIN 2393 ISO H9

**STS**

TUBO TORNITO CON BORCHIA SALDATA  
TURNED CYLINDER TUBE WITH WELDED THREADED PORT

Series M250



Codice Code	ØAL	Corsa Stroke	L	ØD	E BSP	LB	F	LF	ØC	kg							
STS5700200	80	200	335	95	1/2"	50	M85x2	34	80,6	5,44							
STS5700250		250	385							6,25							
STS5700300		300	435							7,05							
STS5700400		400	535							8,66							
STS5700500		500	635							10,27							
STS5700600		600	735							11,87							
STS5700800		800	935							15,09							
STS5701000		1000	1135							18,31							
STS6700200		100	200							360	115	1/2"	70	M105x2	52	100,6	7,17
STS6700250			250							410							8,16
STS6700300	300		460	9,14													
STS6700400	400		560	11,12													
STS6700500	500		660	13,09													
STS6700600	600		760	15,07													
STS6700800	800		960	19,02													
STS6701000	1000		1160	22,97													

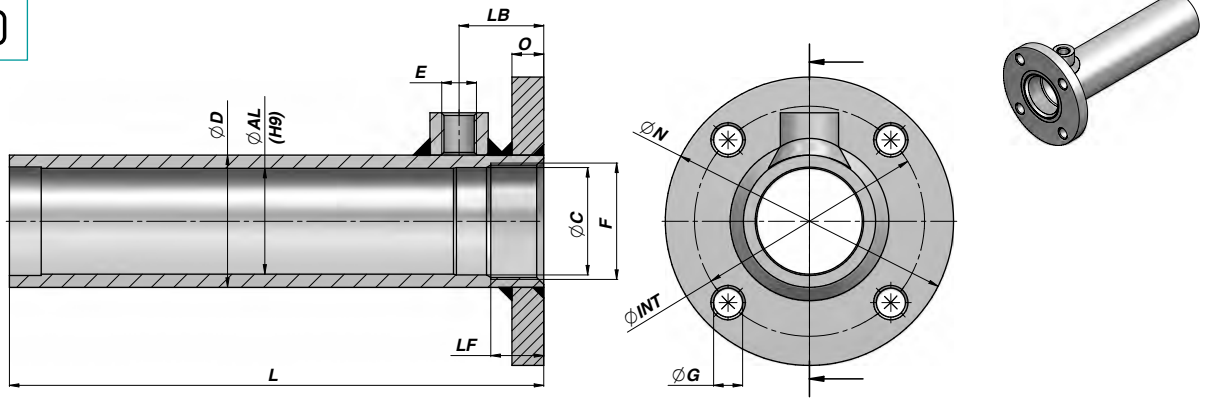
MATERIALE TUBO: ACCIAIO St 52.3 DIN 2391 ISO H8

TUBE MATERIAL : STEEL St 52.3 DIN 2391 ISO H8

TUBO TORNITO CON BORCHIA E FLANGIA SALDATE  
TURNED CYLINDER TUBE WITH WELDED THREADED PORT AND FLANGE

STFG

Series M250



Codice Code	ØAL	Corsa Stroke	L	ØD	E BSP	LB	F	LF	ØC	Flangia - Flange				kg
										ØN	O	ØG	ØINT	
STFG040050100	40	100	202	50	1/4"	32	M44x1.5	20	40,6	109	12,5	ø 11 x 4	87	1,80
STFG040050200		200	302											2,30
STFG040050300		300	402											2,80
STFG040050400		400	502											3,40
STFG040050500		500	602											3,90
PREDISPOSTO PER FONDELLO INTERNO - MACHINED FOR INTERNAL END PLUG: CODE CFI0410012														
STFG050050100	50	100	212	60	3/8"	35	M54x1.5	23	50,6	128	14,5	ø 13 x 4	105	2,50
STFG050050200		200	312											3,20
STFG050050300		300	412											3,80
STFG050050400		400	512											4,50
STFG050050500		500	612											5,20
PREDISPOSTO PER FONDELLO INTERNO - MACHINED FOR INTERNAL END PLUG: CODE CFI0510012														
STFG060050100	60	100	230	70	3/8"	40	M64x1.5	28	60,6	142	16,5	ø 13 x 4	117	3,20
STFG060050200		200	330											4,00
STFG060050300		300	430											4,80
STFG060050400		400	530											5,60
STFG060050500		500	630											6,40
PREDISPOSTO PER FONDELLO INTERNO - MACHINED FOR INTERNAL END PLUG: CODE CFI0610015														
STFG070050100	70	100	230	80	3/8"	40	M74x1.5	28	70,6	162	16,5	ø 15 x 4	127	3,90
STFG070050200		200	330											4,80
STFG070050300		300	430											5,80
STFG070050400		400	530											6,70
STFG070050500		500	630											7,60
PREDISPOSTO PER FONDELLO INTERNO - MACHINED FOR INTERNAL END PLUG: CODE CFI0710015														
STFG080070100	80	100	250	95	1/2"	50	M85x2	34	80,6	181	18,5	ø 17 x 6	149	6,30
STFG080070200		200	350											7,90
STFG080070300		300	450											9,50
STFG080070400		400	550											11,20
STFG080070500		500	650											12,70
PREDISPOSTO PER FONDELLO INTERNO - MACHINED FOR INTERNAL END PLUG: CODE CFI0810017														
STFG100070100	100	100	278	115	1/2"	70	M105x2	52	100,6	194	24,5	ø 17 x 6	162	8,50
STFG100070200		200	378											10,50
STFG100070300		300	478											12,50
STFG100070400		400	578											14,50
STFG100070500		500	678											16,50
PREDISPOSTO PER FONDELLO INTERNO - MACHINED FOR INTERNAL END PLUG: CODE CFI1010020														

MATERIALE TUBO: ACCIAIO S1 52.3 DIN 2393 ISO H9      MATERIALE FLANGIA : ACCIAIO S355J0 ( Fe510C )  
TUBE MATERIAL : STEEL S1 52.3 DIN 2393 ISO H9      FLANGE MATERIAL : STEEL S355J0 ( Fe510C )