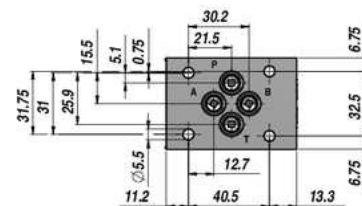
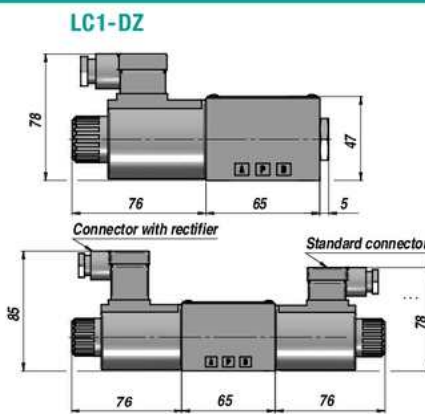
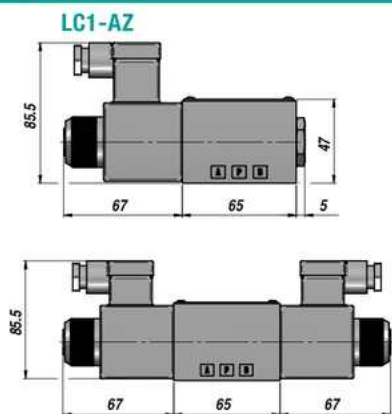
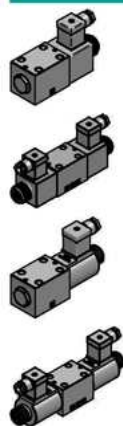


LC1

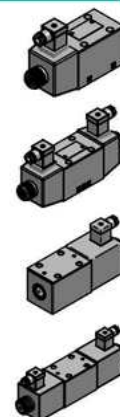
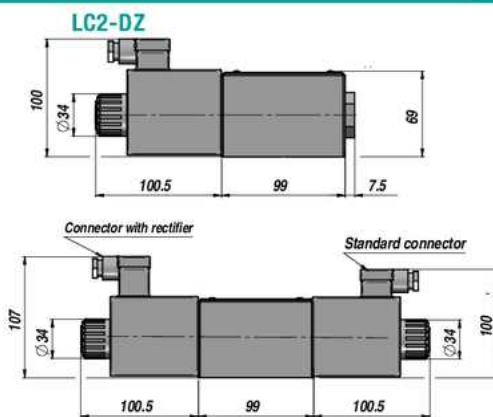
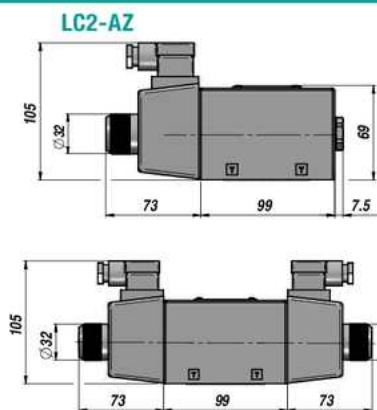
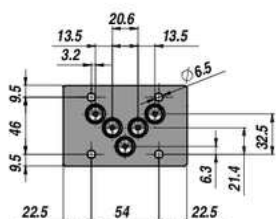
CETOP 3

DISTRIBUTEUR ELECTRIQUE  
SOLENOID OPERATED DIRECTIONAL VALVE  
ELECTROVALVULA



Code Code Código	Type Type Tipo	Tension Voltage Tensión	Symbole Hydrauliques Hydraulic Symbol Símbolo Hidráulico	Q MAX l/min	P MAX bar	kg
EL10A02002450	LC1-A201 AZ	24/50VAC	<p><b>A201</b> (ex A2)</p>	60	250	1,66
EL10A02011050	LC1-A201 AZ	110/50VAC		"	"	1,66
EL10A02022050	LC1-A201 AZ	220/50VAC		"	"	1,66
EL10A02012VDC	LC1-A201 DZ	12VDC		70	310	1,82
EL10A02024VDC	LC1-A201 DZ	24VDC		"	"	1,82
EL10B02002450	LC1-B201 AZ	24/50VAC	<p><b>B201</b> (ex B2)</p>	60	250	1,66
EL10B02011050	LC1-B201 AZ	110/50VAC		"	"	1,66
EL10B02022050	LC1-B201 AZ	220/50VAC		"	"	1,66
EL10B02012VDC	LC1-B201 DZ	12VDC		70	310	1,82
EL10B02024VDC	LC1-B201 DZ	24VDC		"	"	1,82
EL10C02002450	LC1-C201 AZ	24/50VAC	<p><b>C201</b> (ex C2)</p>	60	250	1,66
EL10C02011050	LC1-C201 AZ	110/50VAC		"	"	1,66
EL10C02022050	LC1-C201 AZ	220/50VAC		"	"	1,66
EL10C02012VDC	LC1-C201 DZ	12VDC		70	310	1,82
EL10C02024VDC	LC1-C201 DZ	24VDC		"	"	1,82
EL10E02002450	LC1-E201 AZ	24/50VAC	<p><b>E201</b> (ex E2)</p>	60	250	1,66
EL10E02011050	LC1-E201 AZ	110/50VAC		"	"	1,66
EL10E02022050	LC1-E201 AZ	220/50VAC		"	"	1,66
EL10E02012VDC	LC1-E201 DZ	12VDC		70	310	1,82
EL10E02024VDC	LC1-E201 DZ	24VDC		"	"	1,82
EL10A11S02450	LC1-A301 AZ	24/50VAC	<p><b>A301</b> (ex A11S)</p>	60	250	1,25
EL10A11S11050	LC1-A301 AZ	110/50VAC		"	"	1,25
EL10A11S22050	LC1-A301 AZ	220/50VAC		"	"	1,25
EL10A11S12VDC	LC1-A301 DZ	12VDC		70	310	1,33
EL10A11S24VDC	LC1-A301 DZ	24VDC		"	"	1,33
EL10A11C02450	LC1-Y301 AZ	24/50VAC	<p><b>Y301</b> (ex A11C)</p>	60	250	1,25
EL10A11C11050	LC1-Y301 AZ	110/50VAC		"	"	1,25
EL10A11C22050	LC1-Y301 AZ	220/50VAC		"	"	1,25
EL10A11C12VDC	LC1-Y301 DZ	12VDC		70	310	1,33
EL10A11C24VDC	LC1-Y301 DZ	24VDC		"	"	1,33
EL10B11C02450	LC1-B301 AZ	24/50VAC	<p><b>B301</b> (ex B11C)</p>	60	250	1,25
EL10B11C11050	LC1-B301 AZ	110/50VAC		"	"	1,25
EL10B11C22050	LC1-B301 AZ	220/50VAC		"	"	1,25
EL10B11C12VDC	LC1-B301 DZ	12VDC		70	310	1,33
EL10B11C24VDC	LC1-B301 DZ	24VDC		"	"	1,33
EL10C11A02450	LC1-C301 AZ	24/50VAC	<p><b>C301</b> (ex C11A)</p>	60	250	1,25
EL10C11A11050	LC1-C301 AZ	110/50VAC		"	"	1,25
EL10C11A22050	LC1-C301 AZ	220/50VAC		"	"	1,25
EL10C11A12VDC	LC1-C301 DZ	12VDC		70	310	1,33
EL10C11A24VDC	LC1-C301 DZ	24VDC		"	"	1,33

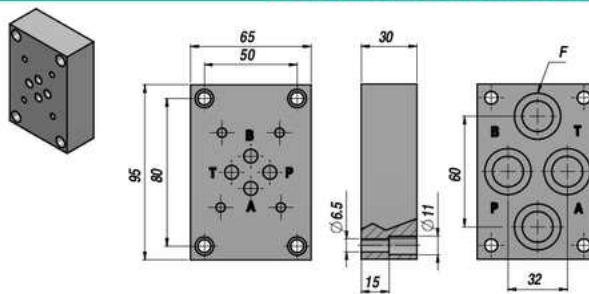
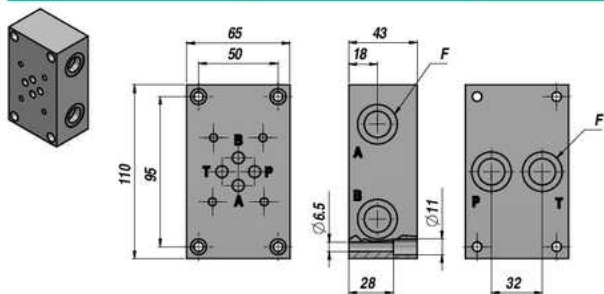
SUR DEMANDE - ON REQUEST - BAJO PEDIDO: ELECTOVANNES - SOLENOID DIRECTIONAL VALVES - ELECTROVALVULAS TIPO LC0,4 (Cetop 2)



Code Code Código	Type Type Tipo	Tension Voltage Tensión	Symbole Hydrauliques Hydraulic Symbol Símbolo Hidráulico	Q MAX l/min	P MAX bar	kg
EL20A02002450	LC2-A201 AZ	24/50VAC		100	310	4,10
EL20A02011050	LC2-A201 AZ	110/50VAC		"	"	4,10
EL20A02022050	LC2-A201 AZ	220/50VAC		"	"	4,10
EL20A02012VDC	LC2-A201 DZ	12VDC		120	"	5,10
EL20A02024VDC	LC2-A201 DZ	24VDC		"	"	5,10
EL20B02002450	LC2-B201 AZ	24/50VAC		100	310	4,10
EL20B02011050	LC2-B201 AZ	110/50VAC		"	"	4,10
EL20B02022050	LC2-B201 AZ	220/50VAC		"	"	4,10
EL20B02012VDC	LC2-B201 DZ	12VDC		120	"	5,10
EL20B02024VDC	LC2-B201 DZ	24VDC		"	"	5,10
EL20C02002450	LC2-C201 AZ	24/50VAC		100	310	4,10
EL20C02011050	LC2-C201 AZ	110/50VAC		"	"	4,10
EL20C02022050	LC2-C201 AZ	220/50VAC		"	"	4,10
EL20C02012VDC	LC2-C201 DZ	12VDC		120	"	5,10
EL20C02024VDC	LC2-C201 DZ	24VDC		"	"	5,10
EL20E02002450	LC2-E201 AZ	24/50VAC		100	310	4,10
EL20E02011050	LC2-E201 AZ	110/50VAC		"	"	4,10
EL20E02022050	LC2-E201 AZ	220/50VAC		"	"	4,10
EL20E02012VDC	LC2-E201 DZ	12VDC		120	"	5,10
EL20E02024VDC	LC2-E201 DZ	24VDC		"	"	5,10
EL20A11S02450	LC2-A301 AZ	24/50VAC		100	310	3,30
EL20A11S11050	LC2-A301 AZ	110/50VAC		"	"	3,30
EL20A11S22050	LC2-A301 AZ	220/50VAC		"	"	3,30
EL20A11S12VDC	LC2-A301 DZ	12VDC		120	"	4,00
EL20A11S24VDC	LC2-A301 DZ	24VDC		"	"	4,00
EL20A11C02450	LC2-Y301 AZ	24/50VAC		100	310	3,30
EL20A11C11050	LC2-Y301 AZ	110/50VAC		"	"	3,30
EL20A11C22050	LC2-Y301 AZ	220/50VAC		"	"	3,30
EL20A11C12VDC	LC2-Y301 DZ	12VDC		120	"	4,00
EL20A11C24VDC	LC2-Y301 DZ	24VDC		"	"	4,00
EL20B11C02450	LC2-B301 AZ	24/50VAC		100	310	3,30
EL20B11C11050	LC2-B301 AZ	110/50VAC		"	"	3,30
EL20B11C22050	LC2-B301 AZ	220/50VAC		"	"	3,30
EL20B11C12VDC	LC2-B301 DZ	12VDC		120	"	4,00
EL20B11C24VDC	LC2-B301 DZ	24VDC		"	"	4,00
EL20C11A02450	LC2-C301 AZ	24/50VAC		100	310	3,30
EL20C11A11050	LC2-C301 AZ	110/50VAC		"	"	3,30
EL20C11A22050	LC2-C301 AZ	220/50VAC		"	"	3,30
EL20C11A12VDC	LC2-C301 DZ	12VDC		120	"	4,00
EL20C11A24VDC	LC2-C301 DZ	24VDC		"	"	4,00

SUR DEMANDE - ON REQUEST - BAJO PEDIDO: VALVES MODULAIRES POUR ELECTROVANNES CETOP 2-3-5 - MODULAR VALVES FOR SOLENOID OPERATED DIRECTIONAL VALVES CETOP 2-3-5 - VALVULAS MODULARES PARA ELECTROVALVULAS CETOP 2-3-5

**ES3-D-PL** **ES3-A-P** **CETOP 3** **EMBASE DE MONTAGE POUR ELECTROVANNES SANS LP**  
SUB-PLATE FOR SOLENOID VALVES WITHOUT RELIEF VALVE  
PLACA BASE PARA ELECTROVALVULAS SIN VLP



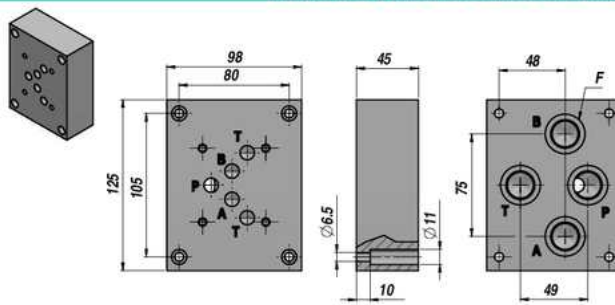
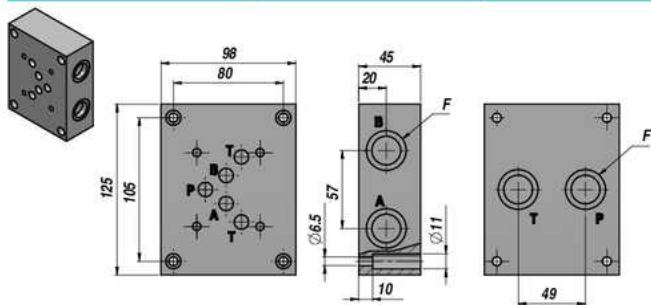
Code Code Código	Type Type Tipo	F BSP	kg
EV95050005	ES3-D-38-PL	3/8"	1,80

MATERIEL - MATERIAL: FONTE - CAST IRON - HIERRO FUNDIDO

Code Code Código	Type Type Tipo	F BSP	kg
EV95050003	ES3-A-38-P	3/8"	1,00

MATERIEL - MATERIAL: FONTE - CAST IRON - HIERRO FUNDIDO

**ES5-A-PL** **ES5-A-P** **CETOP 5** **EMBASE DE MONTAGE POUR ELECTROVANNES SANS LP**  
SUB-PLATE FOR SOLENOID VALVES WITHOUT RELIEF VALVE  
PLACA BASE PARA ELECTROVALVULAS SIN VLP



Code Code Código	Type Type Tipo	F BSP	kg
EV95070005	ES5-A-12-PL	1/2"	3,50

MATERIEL - MATERIAL: FONTE - CAST IRON - HIERRO FUNDIDO

Code Code Código	Type Type Tipo	F BSP	kg
EV95070001	ES5-A-12-P	1/2"	3,50

MATERIEL - MATERIAL: FONTE - CAST IRON - HIERRO FUNDIDO

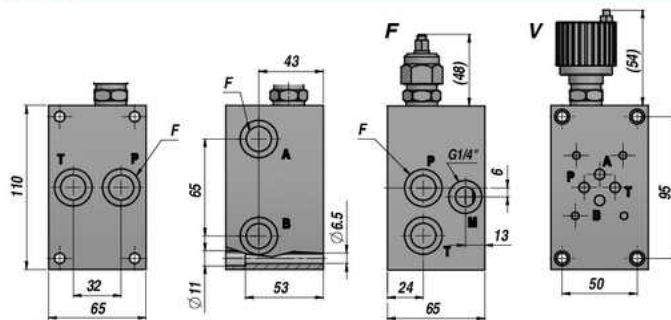
SUR DEMANDE - ON REQUEST - BAJO PEDIDO:  
EMBASES MONOBLOC - 10 SECTIONS MAXI - AVEC / SANS LIMITEUR DE PRESSION  
MONOBLOCK SUB-PLATES - 10 SECTIONS MAX. - WITH / WITHOUT RELIEF VALVE  
PLACAS BASE MONOBLOQUE - 10 SECCIONES MAX - CON / SIN VALVULA  
LIMITADORA DE PRESION

EMBASES POUR ELECTROVANNES CETOP 7 E CETOP 8  
SUB-PLATES FOR SOLENOID VALVES CETOP 7 AND CETOP 8  
PLACAS BASE PARA ELECTROVALVULAS CETOP 7 Y CETOP 8

EMBASE DE MONTAGE POUR ELECTROVANNES AVEC LP  
SUB-PLATE FOR SOLENOID VALVES WITH RELIEF VALVE  
PLACA BASE PARA ELECTROVALVULAS CON VLP

CETOP 3

ES3-B



Code Code Código	Type Type Tipo	F BSP	kg
EV95050024	ES3-B-38-X3 F	3/8"	3,00
EV95050014	ES3-B-38-X3 V	3/8"	3,00

PLAGE DE REGLAGE - SETTING RANGE - GALGA DE REGLAJE
X0F - X0V : 5 - 50 bar
X1F - X1V : 30 - 100 bar
X2F - X2V : 50 - 210 bar
X3F - X3V : 100 - 350 bar

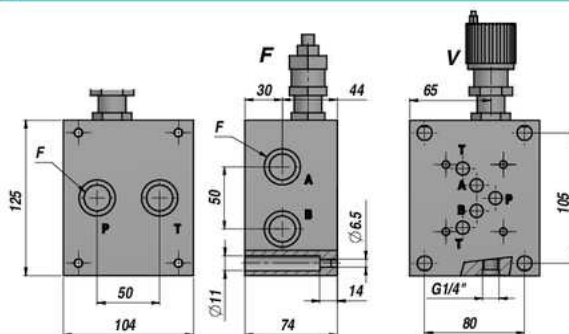
MATERIEL - MATERIAL: FONTE - CAST IRON - HIERRO FUNDIDO

REGLAGE - SETTING - REGLAJE: **F** = PAR CLEF - BY KEY - CON LLAVE **V** = PAR VOLANT - BY KNOB - CON VOLANTE

EMBASE DE MONTAGE POUR ELECTROVANNES AVEC LP  
SUB-PLATE FOR SOLENOID VALVES WITH RELIEF VALVE  
PLACA BASE PARA ELECTROVALVULAS CON VLP

CETOP 5

ES5-B



Code Code Código	Type Type Tipo	F BSP	kg
EV95070012	ES5-B-12-X3 F	1/2"	7,00
EV95070015	ES5-B-12-X3 V	1/2"	7,00

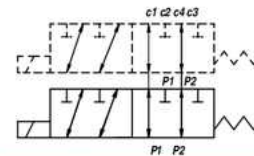
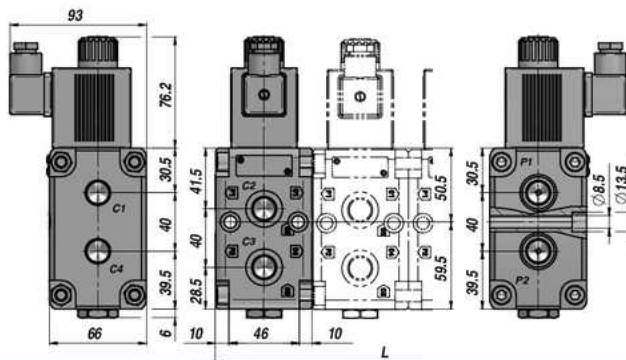
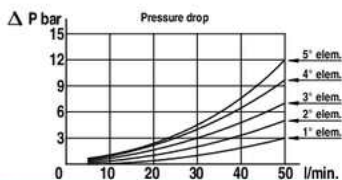
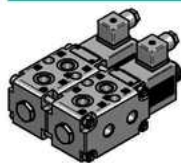
PLAGE DE REGLAGE - SETTING RANGE - GALGA DE REGLAJE
X1F - X1V : 5 - 60 bar
X2F - X2V : 35 - 120 bar
X3F - X3V : 80 - 300 bar

MATERIEL - MATERIAL: FONTE - CAST IRON - HIERRO FUNDIDO

REGLAGE - SETTING - REGLAJE: **F** = PAR CLEF - BY KEY - CON LLAVE **V** = PAR VOLANT - BY KNOB - CON VOLANTE

# VS 241/F

SELECTEUR DE CIRCUIT ELECTRIQUE (EMPILABLE)  
SOLENOID OPERATED DIVERTER VALVE (MODULAR TYPE)  
VALVULA DESVIADORA DE MANDO ELECTRICO (TIPO MODULAR)

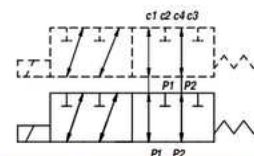
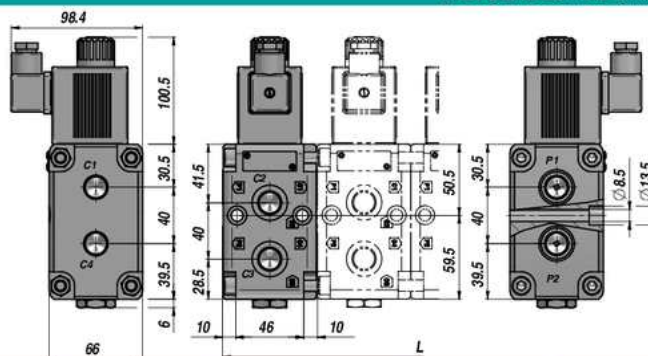
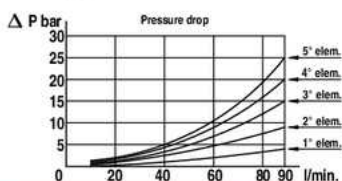
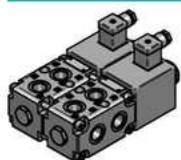


Code Code Código	Code Code Código	Type Type Tipo	N° Elements Elements no. Nr. Secciones	Voies Ports Vías	P1 - P2 C1 - C4 C2 - C3	Q MAX l/min	P MAX bar	L	kg
12 VDC	24 VDC				BSP				
ELVSF240112DC	ELVSF240124DC	VS241/F1	1	6	3/8"	50	250	66	3,35
ELVSF240212DC	ELVSF240224DC	VS241/F2	2	8	3/8"	50	250	132	6,70
ELVSF240312DC	ELVSF240324DC	VS241/F3	3	10	3/8"	50	250	198	10,05
ELVSF240412DC	ELVSF240424DC	VS241/F4	4	12	3/8"	50	250	264	13,40
ELVSF240512DC	ELVSF240524DC	VS241/F5	5	14	3/8"	50	250	330	16,75

P MAX.: 310 bar AVEC DRAINAGE EXTERNE - WITH EXTERNAL DRAIN - CON DRENAJE EXTERIOR

# VS 281/F

SELECTEUR DE CIRCUIT ELECTRIQUE (EMPILABLE)  
SOLENOID OPERATED DIVERTER VALVE (MODULAR TYPE)  
VALVULA DESVIADORA DE MANDO ELECTRICO (TIPO MODULAR)



Code Code Código	Code Code Código	Type Type Tipo	N° Elements Elements no. Nr. Secciones	Voies Ports Vías	P1 - P2 C1 - C4 C2 - C3	Q MAX l/min	P MAX bar	L	kg
12 VDC	24 VDC				BSP				
ELVSF280112DC	ELVSF280124DC	VS281/F1	1	6	1/2"	90	250	66	4,15
ELVSF280212DC	ELVSF280224DC	VS281/F2	2	8	1/2"	90	250	132	8,30
ELVSF280312DC	ELVSF280324DC	VS281/F3	3	10	1/2"	90	250	198	12,45
ELVSF280412DC	ELVSF280424DC	VS281/F4	4	12	1/2"	90	250	264	16,60
ELVSF280512DC	ELVSF280524DC	VS281/F5	5	14	1/2"	90	250	330	20,75

P MAX.: 310 bar AVEC DRAINAGE EXTERNE - WITH EXTERNAL DRAIN - CON DRENAJE EXTERIOR

SUR DEMANDE - ON REQUEST - BAJO PEDIDO:

POIGNEE A 1-2-4-6 BOUTONS POUR COMMANDER SELECTEURS ADAPTABLES AUX DISTRIBUTEURS  
DRIVE PUSHBOARDS (1-2-4-6 PUSH-BUTTONS) FOR DIVERTER VALVES SUITABLE TO HAND-DRIVEN DIRECTIONAL VALVES  
PULSADOR 1-2-4-6 BOTONES PARA ACCIONAR VALVULAS DESVIADORAS ADAPTABLES A DISTRIBUIDORES MANUALES